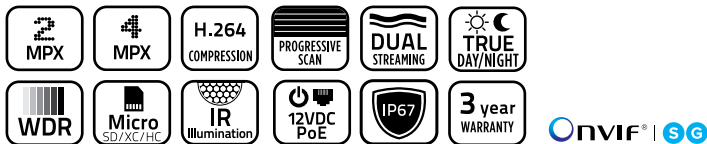


# 2MPx and 4MPx IP Dome IR Cameras

Series 3 IP Open Standards Cameras



## OVERVIEW

TruVision® IP Megapixel Dome IR Cameras by Interlogix bring high-definition images to the mass video surveillance market. With 2MPx or 4MPx resolution options, these cameras provide flexibility for a wide variety of applications.

The IP Megapixel Dome IR Cameras also adhere to ONVIF® Profile G and S open communication standards as well as support CGI command set for simple integration into standard IP systems. By utilizing an integrated browser and micro SD memory card storage capability, these cameras simplify remote, live monitoring/playback of edge-recorded audio and video. Memory card recording also helps protect data in the event of network disruptions.

## STANDARD FEATURES

### Video

- 2MPx or 4MPx resolution options
- H.264 compression technology with dual-streaming capability
- 2.8mm fixed / 2.8~12mm manual varifocal / 2.8~12mm motorized varifocal lens options
- ONVIF Profile G and S open communications standards compatibility

### Video Enhancement

- Hallway view, ROI (Region of Interest)
- Real-time video streaming up to 1080p resolution
- WDR 120 dB
- True D/N functionality and infrared illuminators
- 49~98 ft. (15~30m) IR range - with on/off settings

### Video Alarms

- Integrated Motion Detection, Tamper proof and Privacy masking
- Advanced Cross line and Intrusion detection
- External alarm I/O support

### Audio and Edge Recording

- External audio I/O support and auxiliary power output (12VDC, 50mA) (not applicable for motorized varifocal lens model)
- Edge recording on up to 128GB micro SD/SDHC/SDXC card for video playback (card not included)

### Installation and Environment

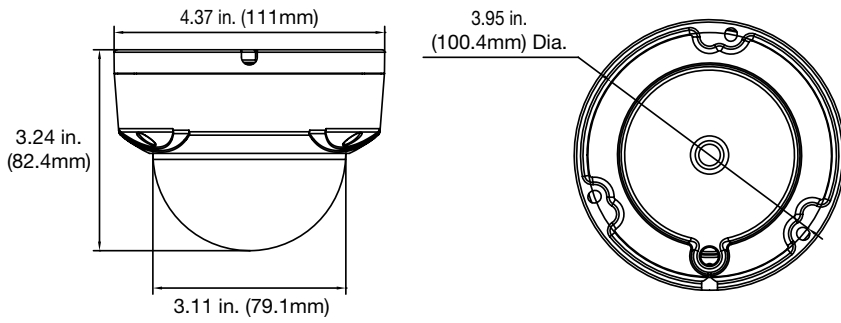
- IP67 Environmental rating
- IK8 or IK10 Vandal rating
- TruVision Device Manager software to access newly added system devices
- Mounting adapter plate (Included with varifocal lens model only)

### Warranty

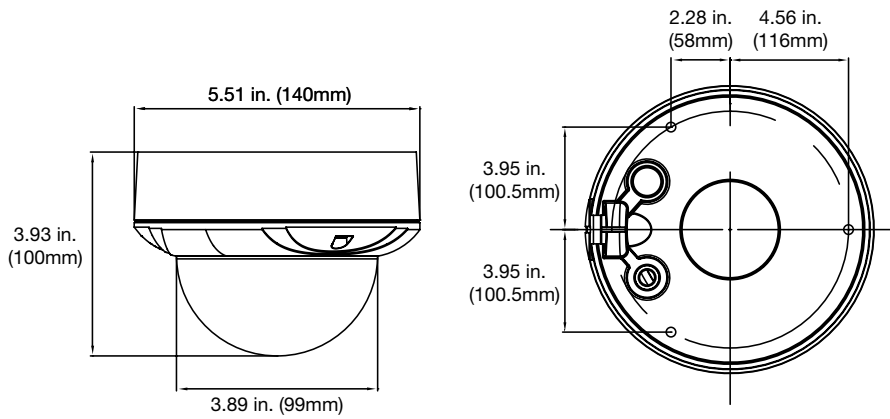
- 3-year warranty

## Dimensional Diagrams







**TVD-5301, TVD-5302** Fixed Lens Dome Camera



**TVD-5303, TVD-5304, TVD-5305, TVD-5306** Manual and Motorized Varifocal Lens Dome Camera  
(mounting adapter plate included)



## Specifications

	PART NO.	TVD-5301	TVD-5302	TVD-5303	TVD-5304	TVD-5305	TVD-5306
							
Housing		Gray					
Camera	Sensor	1/3" Progressive Scan CMOS					
	Resolution	2MPx	4MPx	2MPx	4MPx	2MPx	4MPx
	Day/Night	IR cut filter					
	IP Compression	H.264 / MJPEG					
	Multiple Streaming	Dual Stream					
	Maximum Resolution	1920 x 1080	2688 x 1520	1920 x 1080	2688 x 1520	1920 x 1080	2688 x 1520
	Maximum Real-Time Resolution (@fps)	1920 x 1080 @ 25/30 fps					
	Video Bit Rate	256 Kbps - 16 Mbps					
	Wide Dynamic Range	WDR (120 dB)					
	Digital Noise Reduction	3D-NR					
	Minimum Illumination	0.01 lux @ f1.2, AGC On; 0 lux with IR					
	Digital S/N Ratio	50 dB (AGC Off)					
	Auto Exposure (shutter)	1/3 s to 1/10,000 s					
	Lens	2.8mm @ f2.0			2.8-12mm @ f1.4		
	Focus	Fixed			Manual Varifocal		Motorized Varifocal
IR Range	49 ft. (15m)			98 ft. (30m)			
Video Output	Composite (NTSC/PAL)					N/A	
Video Connector	1 - 75 Ω / BNC					N/A	
Network	Ethernet Port	1 RJ45 10/100 Mbps auto-negotiate					
	Network Protocols	TCP/IP, HTTP, DHCP, DNS, DDNS, RTP, RTSP, PPPoE, SMTP, NTP, SNMP, HTTPS, FTP, 802.1x, Qos, IPv6					
Local Storage	Media	Micro SD/SDHC/SDXC slot					
	Capacity	Up to 128GB					
Audio	Input	1 Mic-in					
	Output	1					
	Audio bit rate (protocol)	G.722.1, G.711ulaw, G.711alaw, MP2L2 and G.726					
Camera Alarms	Intelligence	Motion Detection, Tamper Proof, Privacy Mask, Dual VCA, Intrusion Detection, Cross Line, Hallway View, ROI					
	Input/Output	1 in / 1 out					
Interoperability	Standard	ONVIF® (Profile G/S), PSIA, CGI					
Display	Display Mode	Flipped horizontally (up/down), vertically (right/left) or centered, Hallway view, ROI (Region of Interest)					
	On Screen Display (OSD)	Text overlay					
Electrical/Mechanical	Voltage Input	12VDC, PoE (IEEE802.3-af)					
	Power Consumption	5W			5.5W		
	Current	0.42A			0.46A		
	Auxiliary Output	12VDC / 50 mA					N/A
	Dimensions	4.4 x 3.2 in. (111 x 82mm)			5.51 x 3.94 in. (140 x 100mm)		
Weight	0.81 lbs. (370g)			1.78 lbs. (807g)			
Environmental	Storage Temperature	-22°F~-140°F (-30°C~60°C)					
	Operating Temperature	-22°F~-140°F (-30°C~60°C), Humidity < 95% (non-condensing)					
	Environmental Rating	IP67					
	Vandal Rating	IK8			IK10		
Regulation	Compliance	FCC, CE, UL, WEEE, RoHS, REACH					

# 2MPx and 4MPx IP Dome IR Cameras

Series 3 IP Open Standards Cameras



## Ordering Information

<b>TVD-5301</b>	TruVision® IP Fixed Lens Dome Camera, 2MPx, 2.8mm, True D/N, WDR, 15M IR, Audio, Alarm, Micro SD/SDHC/SDXC Slot, IP67, IK8, PoE (802.3-af)/12VDC, BNC, Aux Output 12VDC/50mA
<b>TVD-5302</b>	TruVision IP Fixed Lens Dome Camera, 4MPx, 2.8mm, True D/N, WDR, 15M IR, Audio, Alarm, Micro SD/SDHC/SDXC Slot, IP67, IK8, PoE (802.3-af)/12VDC, BNC, Aux Output 12VDC/50mA
<b>TVD-5303</b>	TruVision IP VF Lens Dome Camera, 2MPx, 2.8–12mm, True D/N, WDR, 30M IR, Audio, Alarm, Micro SD/SDHC/SDXC Slot, IP67, IK10, PoE (802.3-af)/12VDC, BNC, Aux Output 12VDC/50mA
<b>TVD-5304</b>	TruVision IP VF Lens Dome Camera, 4MPx, 2.8–12mm, True D/N, WDR, 30M IR, Audio, Alarm, Micro SD/SDHC/SDXC Slot, IP67, IK10, PoE (802.3-af)/12VDC, BNC, Aux Output 12VDC/50mA
<b>TVD-5305</b>	TruVision IP VF Lens Dome Camera, 2MPx, 2.8–12mm motorized, True D/N, WDR, 30M IR, Audio, Alarm, Micro SD/SDHC/SDXC Slot, IP67, IK10, PoE (802.3-af)/12VDC
<b>TVD-5306</b>	TruVision IP VF Lens Dome Camera, 4MPx, 2.8–12mm motorized, True D/N, WDR, 30M IR, Audio, Alarm, Micro SD/SDHC/SDXC Slot, IP67, IK10, PoE (802.3-af)/12VDC

## Accessories

### For TVD-5301 and TVD-5302 (Fixed Lens Domes)

<b>TVD-BB1</b>	TruVision Dome Back Box (use with plastic dome)
<b>TVD-LWB-1</b>	TruVision Dome Bracket, L-shape
<b>TVD-SNB-BB</b>	TruVision TVD-SNB Back Box, 4-directional conduit, Indoor & Outdoor
<b>TVD-LWB-AD</b>	TruVision LWB Bracket Adapter to TVD-SNB-BB
<b>TVB-2G-AD</b>	TruVision Double Gang Box Adapter Plate (for fixed lens bullet or LWB wall mount)
<b>TVD-LWB-S</b>	Dome Camera Wall Mount Shield (used with TVD-LWB-1 or TVD-LWB-2)
<b>TVD-M2-WM</b>	TruVision Dome Wall Mount (use w/DR-RWM-AD Adapter)
<b>DR-RWM</b>	Wall Mount (use w/DR-RWM-AD Adapter)
<b>DR-RWM-AD</b>	Adapter for TVD Plastic Dome to DR & TVD-M2-WM Wall Mount Bracket
<b>TVD-SNB</b>	TruVision Dome Swan Neck Bracket (use w/TVD-CB5A, TVD-CB3, TVD-CB2, TVW-DVM)
<b>TVD-CB3</b>	TruVision Dome 3-Inch Cup Base (use w/TVD-IP, TVD-SNB, TVD-PPB)
<b>TVD-M-CMA</b>	TruVision Corner Mount Adapter (use w/TVD-SNB, TVC VF/Motor Lens IP Bullet Cameras and TVD-HD-TVI/Analog VF Bullet Cameras)

<b>TVD-M-PMA</b>	TruVision Pole Mount Adapter (use w/TVD-SNB, TVC VF/Motor Lens IP Bullet Cameras and TVD-HD-TVI/Analog Bullet Cameras)
<b>TVD-PPB</b>	TruVision Dome Pendant-Mount Bracket (use w/TVD-CB5A, TVD-CB3, TVD-CB2, TVW-DVM)

### For TVD-5303 and TVD-5304 (Manual VF Lens Domes) and TVD-5305 and TVD-5306 (Motorized VF Lens Domes)

<b>TVD-BB3</b>	TruVision Dome Back Box (use w/IP VF Domes)
<b>TVD-BB3A</b>	TruVision Dome Angled Back Box (use w/IP VF Domes)
<b>TVD-M2-FM</b>	TruVision Indoor Flush Mount (use with TVD IP VF Domes)
<b>TVD-LWB-2</b>	TruVision Dome Bracket, L-shape
<b>TVD-LWB-AD</b>	TruVision LWB Bracket Adapter to TVD-SNB-BB
<b>TVB-2G-AD</b>	TruVision Double Gang Box Adapter Plate (for fixed lens bullet or LWB wall mount)
<b>TVD-LWB-S</b>	Dome Camera Wall Mount Shield (used with TVD-LWB-1 or TVD-LWB-2)
<b>TVD-SNB-BB</b>	TruVision TVD-SNB Back Box, 4-directional Conduit, Indoor & Outdoor
<b>TVD-SNB</b>	TruVision Dome Swan Neck Bracket (use w/TVD-CB5A, TVD-CB3, TVD-CB2, TVW-DVM)
<b>TVD-M2-WM</b>	TruVision Dome Wall Mount (use w/TVD VF Domes)
<b>TVD-CB3</b>	TruVision Dome 3-Inch Cup Base (use w/TVD-IP, TVD-SNB, TVD-PPB)
<b>TVD-M-CMA</b>	TruVision Corner Mount Adapter (use w/TVD-SNB, TVC VF/Motor Lens IP Bullet Cameras and TVD-HD-TVI/Analog VF Bullet Cameras)
<b>TVD-M-PMA</b>	TruVision Pole Mount Adapter (use w/TVD-SNB, TVC VF/Motor Lens IP Bullet Cameras and TVD-HD-TVI/Analog Bullet Cameras)
<b>TVD-PPB</b>	TruVision Dome Pendant-Mount Bracket (use w/TVD-CB5A, TVD-CB3, TVD-CB2, TVW-DVM)



interlogix.com

Specifications subject to change without notice.

© 2017 United Technologies Corporation.  
All rights reserved.

All trademarks are the property of their respective owners.  
Interlogix is part of UTC Climate, Controls & Security,  
a unit of United Technologies Corporation.

2017/09 (GSP-2464)