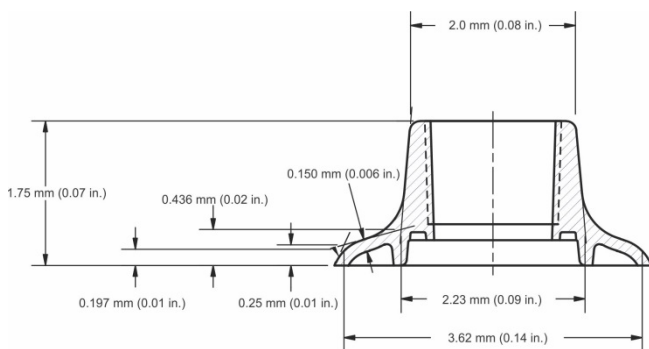


# TruVision 1060050A PTZ Pendant Adapter Installation Instructions

## Dimensions/contents

### Dimensions:



Adapter works with a 1.25-inch pipe, threaded for US (NPT).

**Weight:** 172 g (6.07 oz.)

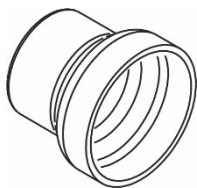
### Accessories:

10-32 UNF × 5/8 in. screw: 3 pcs

Used to attach the pendant adapter to the PTZ housing.



Rubber boot



PTFE thread-sealing tape (not shown)

## Supported devices

- TVP-5102
- TVP-5104
- TVP-5105

## Pendant mount installations

### Installation

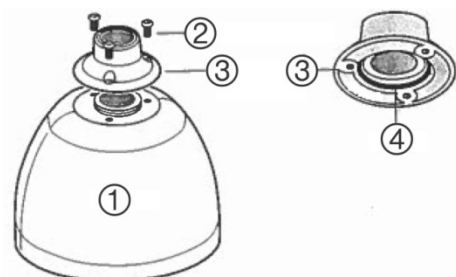
If you are installing the housing outdoors, you must install the rubber water-sealing rubber boot that provides an additional layer of water protection. Applying PTFE thread-sealing tape to the pipe is required as a first layer of protection. The 1060050A

PTZ pendant adapter works with 1.25-inch pipe, threaded for US (NPT).

### To install the housing to a pipe or pendant mount:

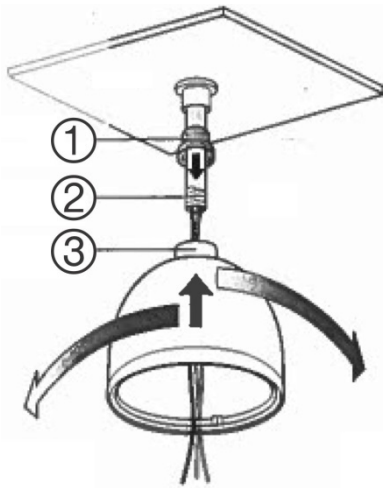
1. Ensure the glued-in O-ring is installed in the pipe mount adapter. See Figure 1 below.
2. Attach the pendant adapter onto the housing using the three 10-32 UNF × 5/8 in. screws.
3. If you are installing the housing onto a pipe outdoors:
  - a. Spray the pipe with soapy water.
  - b. Slide the rubber boot onto the pipe and above the threads. See Figure 2 on page 2.
  - c. Wrap the pipe threads with the supplied PTFE thread-sealing tape in the direction that the dome will screw onto the pipe. Overlap the tape and cover the threads.
4. Hold the housing up near the pendant or mount.
5. Attach the lanyard to a solid structure.
6. Route the interconnect cables through the top of the housing. Allow enough cable length to make connections.
7. Turn the housing counterclockwise as shown in Figure 2 on page 2 to pretwist the cabling.
8. Screw the housing clockwise onto the pipe. See Figure 2 on page 2.

Figure 1: PTZ pendant adapter assembly



- |                                     |                        |
|-------------------------------------|------------------------|
| 1. PTZ housing                      | 3. PTZ pendant adapter |
| 2. Three 10-32 × 5/8 in. UNF screws | 4. O-ring              |

Figure 2: Typical pendant mount



1. Water-sealing rubber boot
2. PTFE tape
3. PTZ pendant adapter

---

Contact information and manuals / tools / firmware	For contact information and to download the latest manuals, tools, and firmware, go to the web site of your region. Americas: <a href="http://www.interlogix.com">www.interlogix.com</a> EMEA: <a href="http://www.firesecurityproducts.com">www.firesecurityproducts.com</a> Manuals are available in several languages Australia/New Zealand: <a href="http://www.utcfs.com.au">www.utcfs.com.au</a>
--	--

---

## Legal and regulatory information

---

Copyright	© 2018 United Technologies Corporation. All rights reserved. Interlogix is part of UTC Climate, Controls & Security, a unit of United Technologies Corporation.
-----------	--

---

Trademarks and patents	The trade names used in this document may be trademarks or registered trademarks of the manufacturers or vendors of the respective products.
------------------------	--

---

Manufacturer	Interlogix. 2955 Red Hill Avenue, Costa Mesa, CA 92626 5923, USA Authorized EU manufacturing representative: UTC Fire & Security B.V. Kelvinstraat 7, 6003 DH Weert, The Netherlands
--------------	--

---

Certification	  
---------------	---

---

Product warnings and disclaimers	THESE PRODUCTS ARE INTENDED FOR SALE TO AND INSTALLATION BY QUALIFIED PROFESSIONALS. UTC FIRE & SECURITY CANNOT PROVIDE ANY ASSURANCE THAT ANY PERSON OR ENTITY BUYING ITS PRODUCTS, INCLUDING ANY "AUTHORIZED DEALER" OR "AUTHORIZED RESELLER", IS PROPERLY TRAINED OR EXPERIENCED TO CORRECTLY INSTALL FIRE AND SECURITY RELATED PRODUCTS. For more information on warranty disclaimers and product safety information, please check <a href="http://www.firesecurityproducts.com/policy/product-warning/">www.firesecurityproducts.com/policy/product-warning/</a> or scan the following code:
----------------------------------	--

