

NS4750-24S-4T-4X Quick Start Guide

Copyright © 2014 United Technologies Corporation

Interlogix is part of UTC Building & Industrial Systems, Inc. a unit of United Technologies Corporation. All rights reserved.

Trademarks and patents *The NS4750-24S-4T-4X name and logo are trademarks of United Technologies.*

Other trade names used in this document may be trademarks or registered trademarks of the manufacturers or vendors of the respective products.

Manufacturer *Interlogix*

3211 Progress Drive, Lincolnton, NC 28092 USA

*Authorized EU manufacturing representative:
UTC Climate Controls & Security B.V.,
Kelvinstraat 7, 6003 DH Weert, Netherlands*

Intended use *Use this product only for the purpose it was designed for; refer to the data sheet and user documentation for details. For the latest product information, contact your local supplier or visit us online at www.interlogix.com.*

Certification



FCC compliance *This equipment has been tested and found to comply with the limits for a Class A digital device, pursuant to part 15 of the FCC Rules. These limits are designed to provide reasonable protection against harmful interference when the equipment is operated in a commercial environment. This equipment generates, uses, and can radiate radio frequency energy and, if not installed and used in accordance with the instruction manual, may cause harmful interference to radio communications.*

You are cautioned that any changes or modifications not expressly approved by the party responsible for compliance could void the user's authority to operate the equipment.

ACMA compliance **Notice!** *This is a Class A product. In a domestic environment this product may cause radio interference in which case the user may be required to take adequate measures.*

Canada *This Class A digital apparatus complies with Canadian ICES-003. Cet appareil numérique de la classe A est conforme à la norme NMB-003 du Canada.*

European Union directives **2004/108/EC (EMC Directive):** *Hereby, UTC Building & Industrial Systems, Inc. declares that this device is in compliance with the essential requirements and other relevant provisions of Directive 2004/108/EC.*

Contact Information *For contact information, see www.interlogix.com or www.utcssecurityproducts.eu.*

Table of Contents

1. PACKAGE CONTENTS	4
2. REQUIREMENTS.....	5
3. WIRING DC POWER INPUTS	6
4. TERMINAL SETUP	7
5. LOGON TO THE CONSOLE	8
6. CONFIGURING IP ADDRESS	9
7. STARTING WEB MANAGEMENT	12
8. CUSTOMER SUPPORT.....	15

1. Package Contents

Thank you for purchasing Interlogix Managed Metro Ethernet Switch, NS4750-24S-4T-4X. The term “**Managed Switch**” mentioned in this Quick Installation Guide refers to the NS4750-24S-4T-4X.

Open the box of the **Managed Switch** and carefully unpack it. The box should contain the following items:

- ◆ **The NS4750-24S-4T-4X Switch x 1**
- ◆ **User's Manual CD x 1**
- ◆ **Quick Installation Guide x 1**
- ◆ **DB9 to RJ-45 Console Cable x 1**
- ◆ **Dust Cap x 33**
- ◆ **Rubber Feet x 4**
- ◆ **Rack Mount Accessory Kit x 1**
- ◆ **AC Power Cord x 1**

If any item is found missing or damaged, please contact your local reseller for replacement.

2. Requirements

- Workstation should be running Windows XP/Vista/7/8, Windows 2003/2008, MAC OS X or later, Linux, UNIX or other platforms compatible with TCP/IP protocols.
- Workstation should be installed with Ethernet NIC (Network Interface Card)
- **Serial Port Connection** (Terminal)
 - The above workstation should come with COM Port (DB9)
- **Ethernet Port Connection**
 - Network cables - Use standard network (UTP) cables with RJ-45 connectors.
 - The above PC should be installed with WEB Browser and JAVA runtime environment Plug-in.

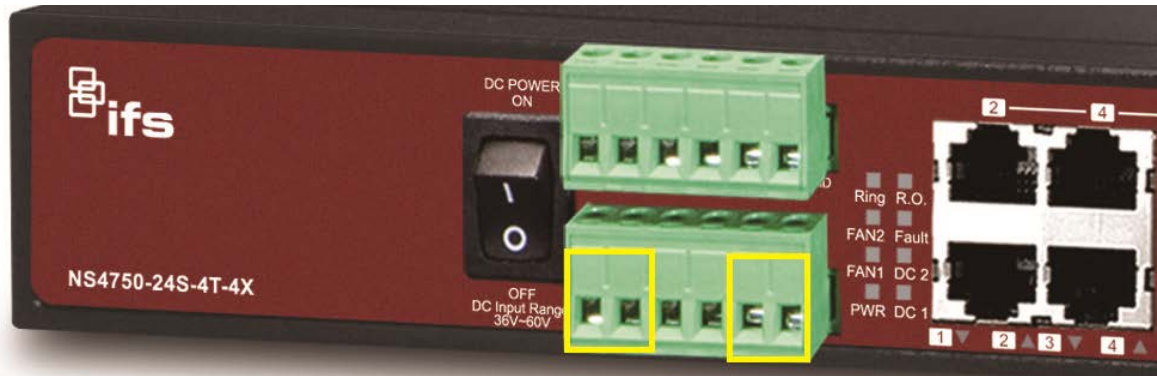


Note

It is recommended to use Internet Explorer 8.0 or above to access the Managed Switch.

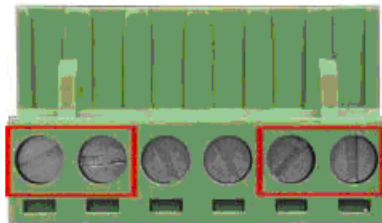
3. Wiring DC Power Inputs

The 6-contact terminal block connector on the rear panel of the NS4750-24S-4T-4X is used for two DC redundant power inputs. Please follow the steps below to insert the power wire.



Insert positive / negative DC power wires into contacts 1 and 2 for DC POWER 1, or 5 and 6 for DC POWER 2.

1. Tighten the wire-clamp screws for preventing the wires from loosening.

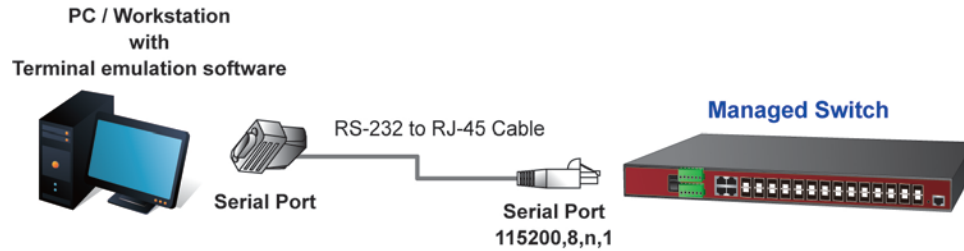


1	2	3	4	5	6
DC 1		Fault Alarm		DC 2	
+	-			+	-

 Note	The wire gauge for the terminal block should be in the range of 12 ~ 24 AWG. The DC Input range is from 36V to 60V DC.
----------	---

4. Terminal Setup

To configure the system, connect a serial cable to a **COM port** on a PC or notebook computer and to serial (console) port of the Managed Switch. The console port of the Managed Switch is DCE already so that you can connect the console port directly through the PC without the need of Null Modem.



A terminal program is required to make the software connection to the Managed Switch. Windows' **Hyper Terminal** program may be a good choice, or you can download the other utility from Internet, such as Putty, TeraTerm.

1. Enables terminal emulator.
2. When the following screen appears, make sure that the COM port should be configured as:
 - ◆ **Baud** : 115200
 - ◆ **Data bits** : 8
 - ◆ **Parity** : None
 - ◆ **Stop bits** : 1
 - ◆ **Flow Control** : None



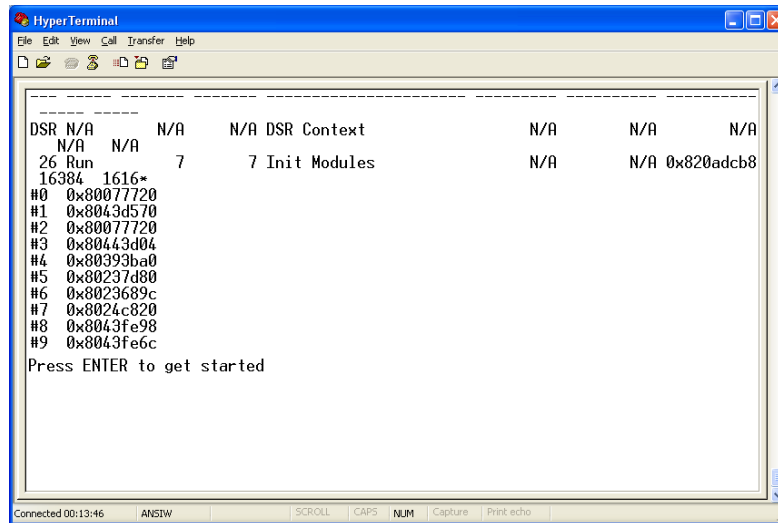
5. Logon to the Console

Once the terminal has been connected to the device, power on the Managed Switch and the terminal will display “running testing procedures”.

Then, the following message asks for the login username and password. The factory default user name and password are **admin** as the login screen in Figure 5-1 appears.

Username: **admin**

Password: **admin**



```
-----  
DSR N/A      N/A      N/A DSR Context          N/A      N/A      N/A  
N/A      N/A      7      7 Init Modules          N/A      N/A      0x820adcb8  
26 Run  
16384 1616*  
#0 0x80077720  
#1 0x8043d570  
#2 0x80077720  
#3 0x80443d04  
#4 0x80393ba0  
#5 0x80237d80  
#6 0x8023689c  
#7 0x8024c820  
#8 0x8043fe98  
#9 0x8043fe6c  
Press ENTER to get started
```

Figure 5-1: NS4750-24S-4T-4X Managed Switch Console Login Screen



Note

1. For security reason, please change and memorize the new password after this first setup.
2. Only accept command in lowercase letter under console interface.

6. Configuring IP Address

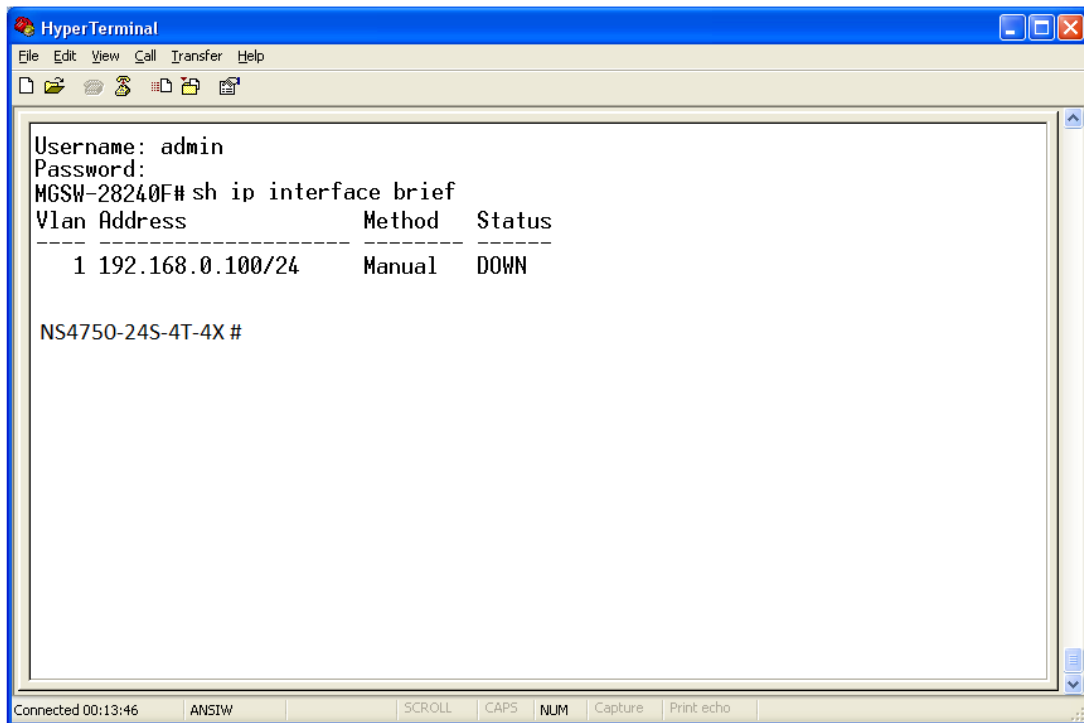
The Managed Switch is shipped with default IP address as shown below:

IP Address: **192.168.0.100**
Subnet Mask: **255.255.255.0**

To check the current IP address or modify a new IP address for the switch, please use the procedures as follows:

■ Show the current IP address

1. On “NS4750-24S-4T-4X#” prompt, enter “**show ip interface brief**”.
2. The screen displays the current IP address, Subnet Mask and Gateway as shown in Figure 6-1.



```
HyperTerminal
File Edit View Call Transfer Help
[Icons]
Username: admin
Password:
MGSW-28240F# sh ip interface brief
Vlan Address Method Status
-----
1 192.168.0.100/24 Manual DOWN

NS4750-24S-4T-4X #
Connected 00:13:46 ANSIW SCROLL CAPS NUM Capture Print echo
```

Figure 6-1: Show IP Information Screen

■ **Configuring IP address**

3. On “NS4750-24S-4T-4X#” prompt, enter the following command and press **<Enter>** as shown in Figure 6-2.

The previous command would apply the following settings for the Switch.

IP Address: 192.168.0.101

Subnet Mask: 255.255.255.0

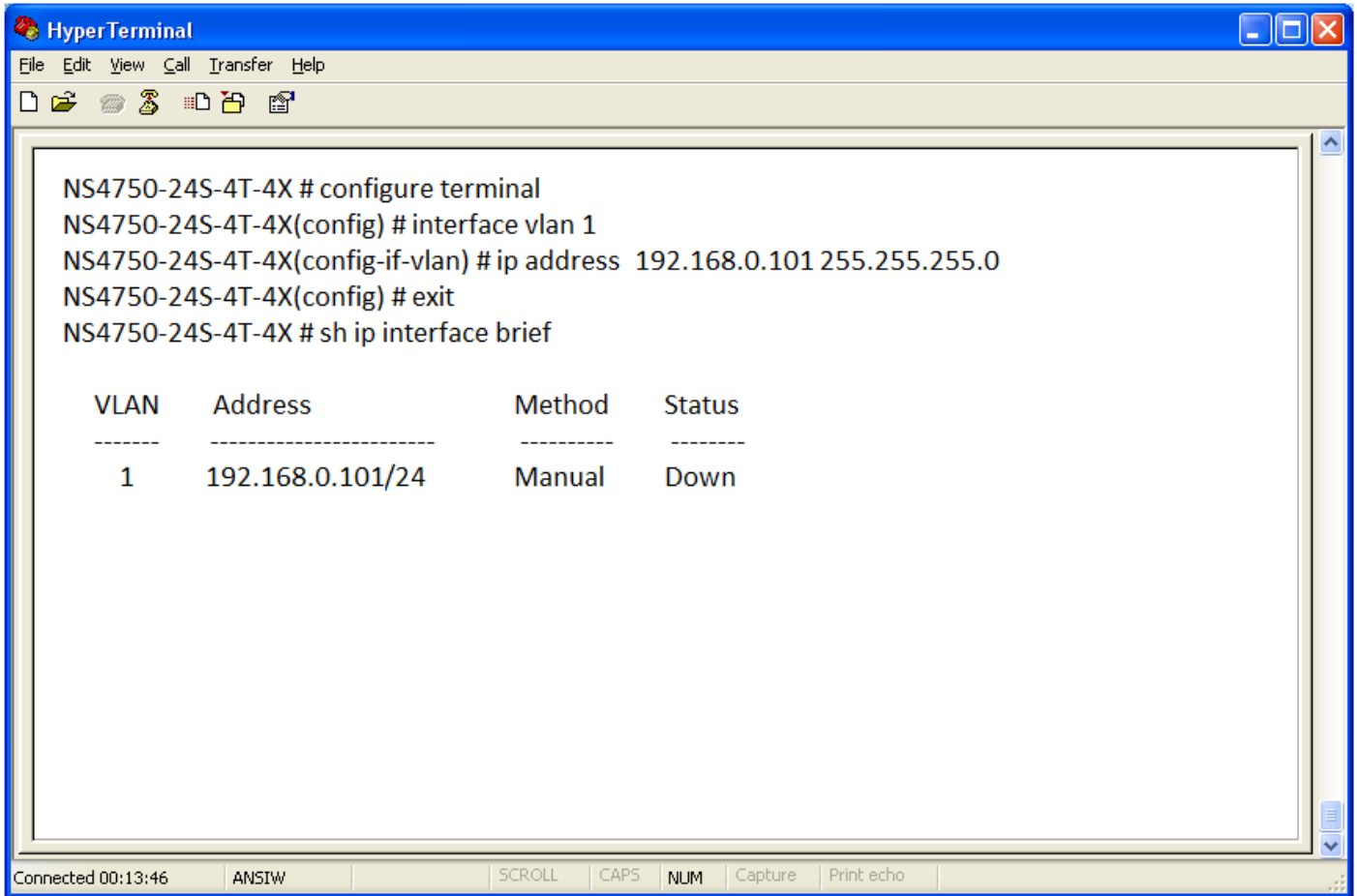


Figure 6-2: Set IP Address Screen

Repeat Step 1 to check if the IP address is changed.

If the IP is successfully configured, the Managed Switch will apply the new IP address setting immediately. You can access the Web interface of the Managed Switch through the new IP address.



If you are not familiar with console command or the related parameter, enter “**help**” anytime in console to get the help description.

4. User needs to save configuration when all configurations have been finished or the configuration will be reset after system rebooted. The configuration saving command has shown following.

```
NS4750-24S-4T-4X # copy running-config startup-config
```

7. Starting Web Management

The following shows how to start up the **Web Management** of the Managed Switch. Note the Managed Switch is configured through an Ethernet connection. Please make sure the manager PC must be set on the same **IP subnet address**.

For example, the default IP address of the Managed Switch is **192.168.0.100**, then the manager PC should be set at **192.168.0.x** (where x is a number between 1 and 254, except 100), and the default subnet mask is 255.255.255.0.

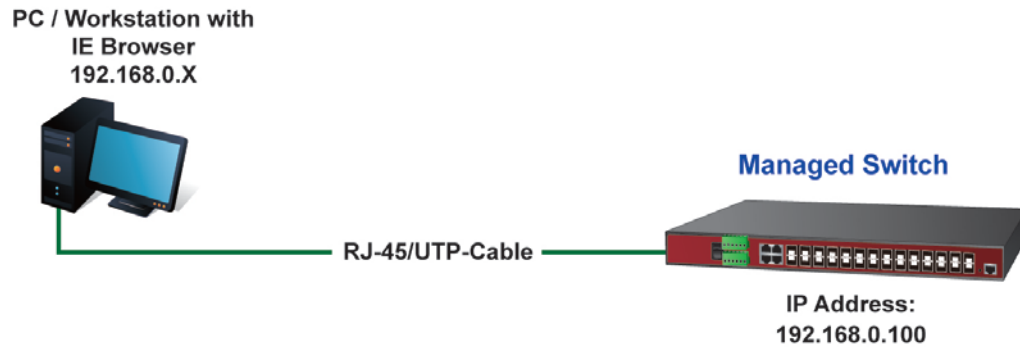


Figure 7-1: IP Management Diagram

Login the Managed Switch

1. Use Internet Explorer 8.0 or above Web browser and enter IP address <http://192.168.0.100> (the factory-default IP address or that you have just changed in console) to access the Web interface.
2. When the following dialog box appears, please enter the default username and password “**admin**” (or the password you have changed via console). The login screen in Figure 7-2 appears.

Default Username: **admin**

Default Password: **admin**

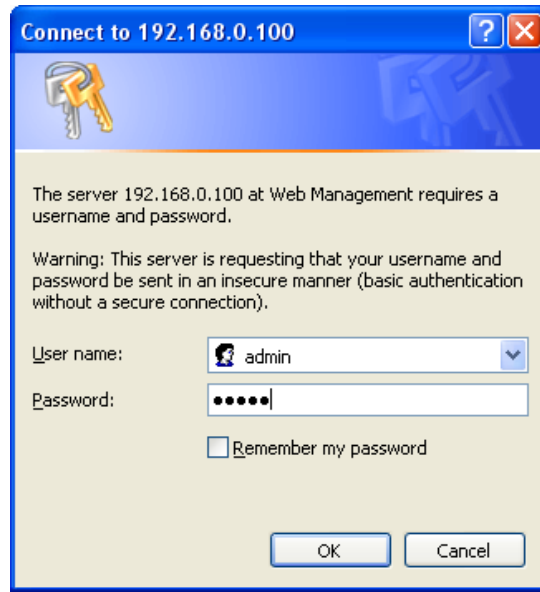


Figure 7-2: Login Screen

3. After entering the password, the main screen appears as shown in Figure 7-3.

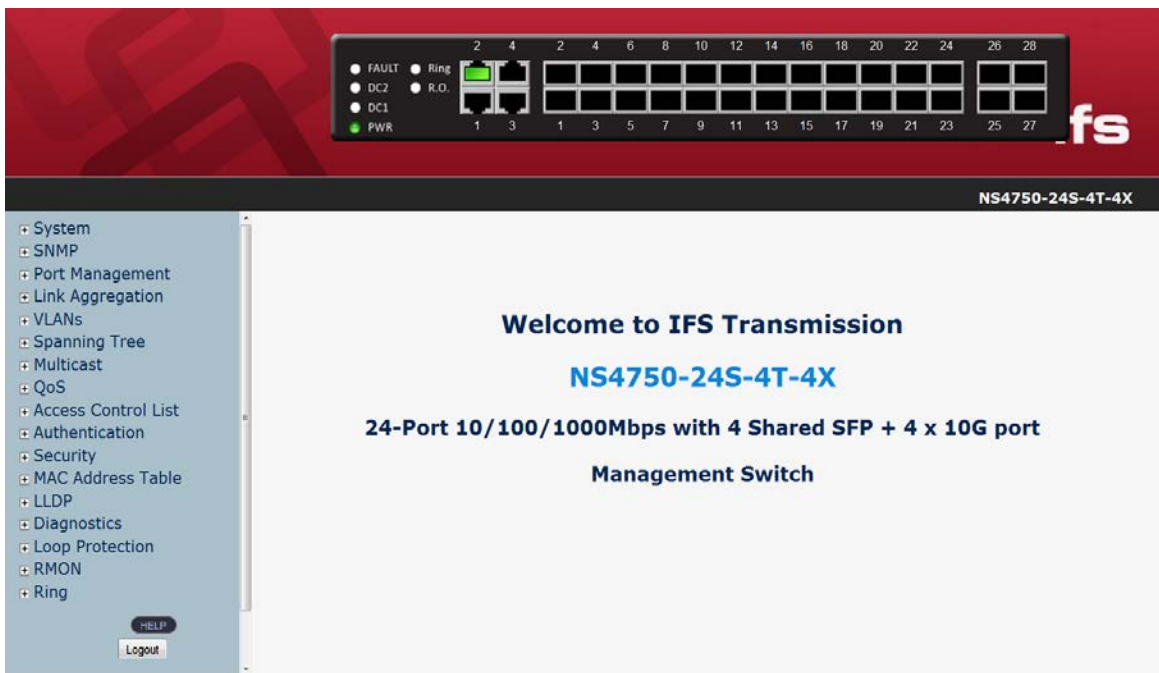


Figure 7-3: Web Main Screen of the Managed Switch



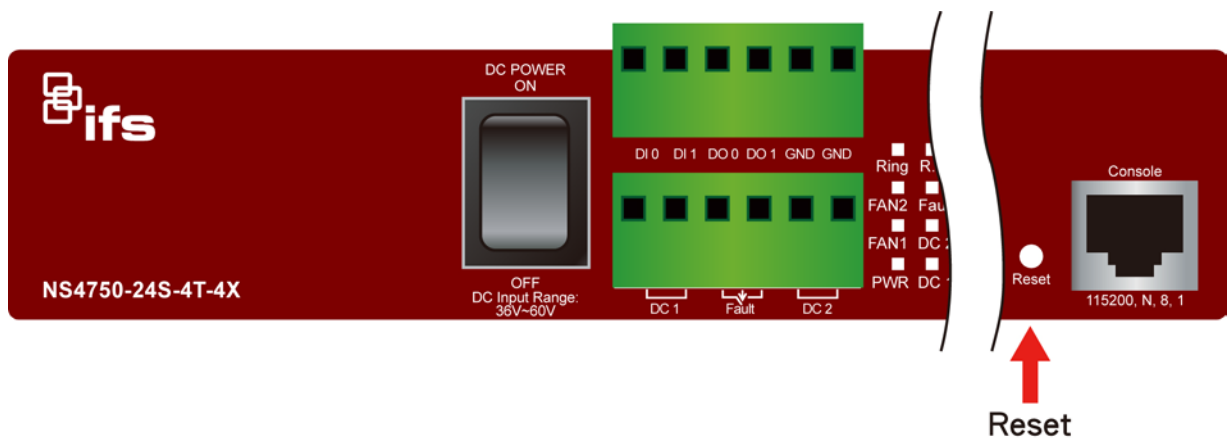
If you are not familiar with Switch functions or the related parameter, press **“Help”** button anytime on the left of the Web page to get the help description.

Now, you can use the Web management interface to continue the Switch management or manage the Switch by console interface.

Please refer to the user manual for more details.

■ **When IP Address has been changed or forgotten – password: “admin”**

To reset the IP address to the default IP Address **“192.168.0.100”** or reset the login password to default value, press the hardware **reset button** on the front panel for over **10 seconds**. After the device is rebooted, you can login to the management Web interface within the same subnet of 192.168.0.xx.



8. Customer Support

Thank you for purchasing INTERLOGIX products. You can browse our online FAQ resource on the INTERLOGIX website first to check if it could solve your issue. If you need more support information, please contact INTERLOGIX.com/support for the support team.

www.interlogix.com/customer support