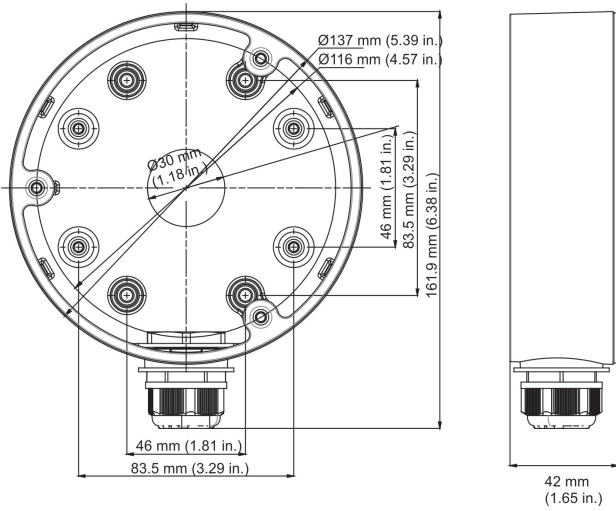


TVD-BB3 Back Box User Guide

Description

Weight: 282 g (0.62 lb.)

Dimensions:

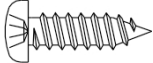


Accessories:

Drywall anchor Ø7.5 x 24.5 mm (5 pcs)



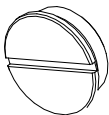
Screw A Ø4 x 25 mm (5 pcs)



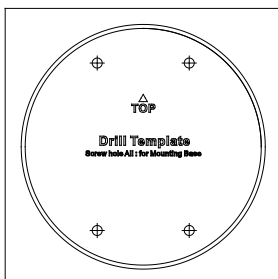
Screw B Ø4 x 10 mm (4 pcs)



Threaded knockout plug



Template:



Supported cameras

The back box can be used with the following dome cameras:

- Indoor Dome** TruVision IP indoor mini dome:
- NTSC:* TVD-N210V-2-N, TVD-N245V-2-N, TVD-M1210V-2-N, TVD-M1225V-2-N, TVD-M1210V-2U-N, TVD-M1225V-2U-N, TVD-M2210V-2-N, TVD-M2225V-2-N, TVD-M3210V-2-N, TVD-M3225V-2-N, TVD-M5225V-4-N
- PAL:* TVD-N210V-2-P, TVD-N245V-2-P, TVD-M1210V-2-P, TVD-M1225V-2-P, TVD-M1210V-2U-P, TVD-M1225V-2U-P, TVD-M2210V-2-P, TVD-M2225V-2-P, TVD-M3210V-2-P, TVD-M3225V-2-P, TVD-M5225V-4-P
- Vandal Dome** TruVision TVD-6/7 series analog vandal dome:
- NTSC:* TVD-6120VE-2-N, TVD-6125VE-2-N, TVD-7120VE-2-N, TVD-7125VE-2-N
- PAL:* TVD-6120VE-2-P, TVD-6125VE-2-P, TVD-7120VE-2-P, TVD-7125VE-2-P
- TruVision 11/31 series IP vandal dome:
- NTSC:* TVD-3103, TVD-3104,
- PAL:* TVD-1103, TVD-1104,
- TruVision 12/32 series IP vandal dome:
- NTSC:* TVD-3201, TVD-3202
- PAL:* TVD-1201, TVD-1202

Legal information

Trademarks and patents The trade names used in this document may be trademarks or registered trademarks of the manufacturers or vendors of the respective products.

Contact information

For contact information, see www.interlogix.com or www.utcssecurityproducts.eu.