



TruVision High Definition TVI Dome Installation Guide

TVD-2401/TVD-4401

TVD-2403/TVD-4403

Content

Product overview 3

Camera description 5

Installation 8

Programming 11

Menu 13

Specifications 14

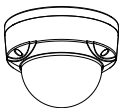
Legal and Regulatory information 15

Product overview

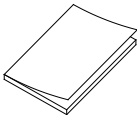
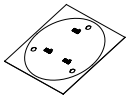
This is the Pocket Guide for TruVision High Definition TVI dome TVD-2401/TVD-4401 and TVD-2403/TVD-4403. This guide describes a standard installation.

Package contents:

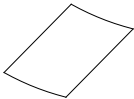
- Camera with power and video output cables
- 3 screws and 3 anchors for wall or ceiling installation



- Template
- Installation Guide



- WEEE and Battery Disposal

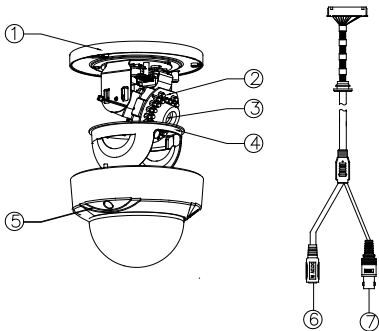


- CD



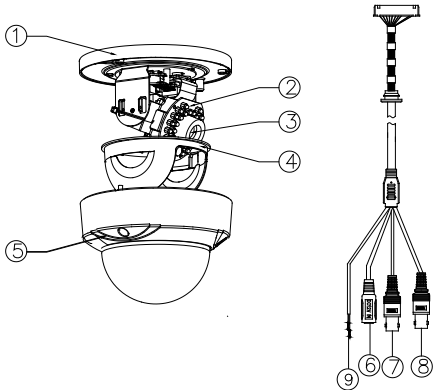
Camera description

TVD-2401/TVD-4401



- | | |
|---------------|----------------------------------|
| 1. Base | 5. Housing |
| 2. IR LED | 6. Power supply |
| 3. Lens | 7. TVI Video output cable (grey) |
| 4. Dome liner | |

TVD-2403/TVD-4403



- | | |
|---------------|------------------------------------|
| 1. Base | 5. Housing |
| 2. IR LED | 6. Power supply |
| 3. Lens | 7. TVI video output cable (grey) |
| 4. Dome liner | 8. CVBS video output cable (black) |

Note:

Please check the camera output settings before setting up a system. The TVI video output can be only connected to DVR with TVI signal input. The CVBS output supports the standard monitor, test monitor, encoder and DVR.

For TVD-2403/TVD-4403, you can connect the white and black line ends of the WDR switch cable to enable the Wide Dynamic Range function. The WDR function is disabled by default. If WDR is enabled, the CVBS output will be blocked out, and only TVI output is available.

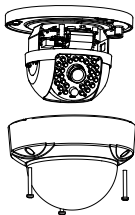
Installation

To install the camera on a ceiling:

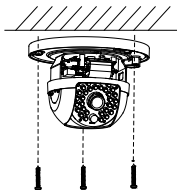
1. Using the template, place it level against the mounting surface and mark the position of the mounting holes.



2. Following all local codes, drill and prepare the mounting holes.
3. Loosen the screws with wrench to remove the housing.

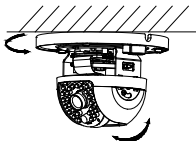


4. Securely fasten the mounting base to the mounting surface with the screws.

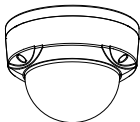


5. Using a 75 ohm coaxial video cable, connect the camera TVI video output and a TVI DVR, and connect a 12 VDC power supply to the camera power cable.

6. Adjust the surveillance angle according to the figure below.



7. Re-attach the housing to the base.

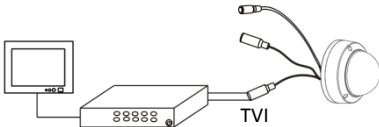


Programming

Programming on TVI output:

Programming on TVI output is available for TVD-2403/TVD-4403 only.

Once the camera hardware has been installed, you can configure the camera settings on the TVI DVR.



Please select PTZ protocol as TruVision Coax and click menu button to call the camera menu.

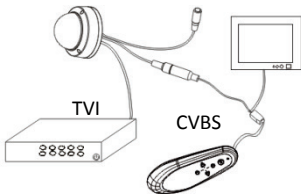
For more details, please see the TVI DVR user manual.

Programming on CVBS output:

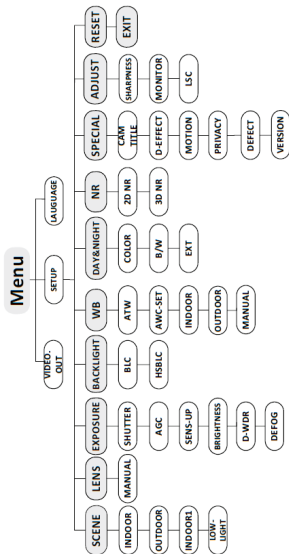
Programming on CVBS output is available for TVD-2403/TVD-4403 only.

Programming on CVBS output, you need to connect a monitor and a TVS-C200 controller (purchase separately) as following system figure.

The TVS-C200 has one male BNC output and a female output. Please connect the male output to camera's CVBS output and female output to a monitor.



Menu



Specifications

Power supply	12 VDC
Current	TVD-2401/TVD-4401: Max. 300 mA TVD-2403/TVD-4403: Max.333 mA
Power consumption	TVD-2401/TVD-4401: Max. 3.5W TVD-2403/TVD-4403: Max. 4W
Weight	345 g (0.76 lb.)
Dimensions (Ø × L)	111 x 82 mm (4.4 x 3.2 in.)

Legal and Regulatory information

Copyright:

© 2015 United Technologies Corporation,
Interlogix is part of UTC Building & Industrial Systems, a unit of
United Technologies Corporation. All rights reserved.

Trademarks and patents:

Trade names used in this document may be trademarks or registered trademarks of the manufacturers or vendors of the respective products.

Manufacturer:

Interlogix

2955 Red Hill Avenue, Costa Mesa, CA 92626-5923, USA

Authorized EU manufacturing representative:

UTC Fire & Security B.V.

Kelvinstraat 7, 6003 DH Weert, The Netherlands

Certification:



N4131



FCC compliance: Class A

Class A: This equipment has been tested and found to comply with the limits for a Class A digital device, pursuant to part 15 of the FCC Rules. These limits are designed to provide reasonable protection against harmful interference when the equipment is operated in a commercial environment. This equipment generates, uses, and can radiate radio frequency energy and, if not installed and used in accordance with the instruction manual, may cause

harmful interference to radio communications. Operation of this equipment in a residential area is likely to cause harmful interference in which case the user will be required to correct the interference at his own expense.

ACMA compliance

Notice! This is a Class A product. In a domestic environment this product may cause radio interference in which case the user may be required to take adequate measures.

Canada

This Class A digital apparatus complies with Canadian ICES-003. Cet appareil numérique de la classe A est conforme à la norme NMB-0330 du Canada.

European Union directives:

12004/108/CE (EMC directive): Hereby, UTC Fire & Security declares that this device is in compliance with the essential requirements and other relevant provisions of Directive 2004/108/EC.



2012/19/EU (WEEE directive): Products marked with this symbol cannot be disposed of as unsorted municipal waste in the European Union. For proper recycling, return this product to your local supplier upon the purchase of equivalent new equipment, or dispose of it at designated collection points. For more information see: www.recyclethis.info.

Contact information:

For contact information, see www.interlogix.com or www.utcssecurityproducts.eu