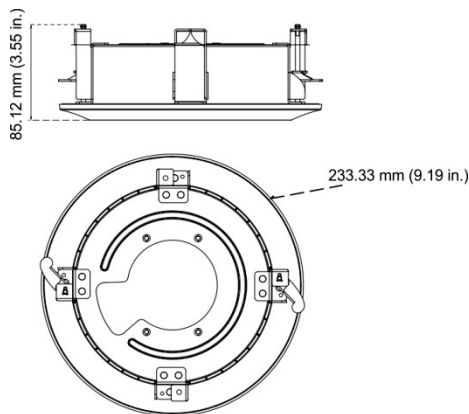


# TVP-CFM Compact PTZ Flush Mount Installation Instructions

## Specifications

**Dimensions:** 233.33 × 85.12 mm (9.19 × 3.35 in.)

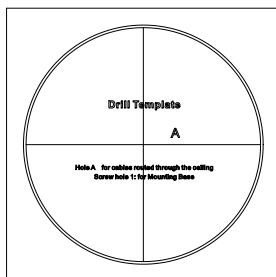


**Weight:** 640 g (1.4 lbs.)

### Accessories:

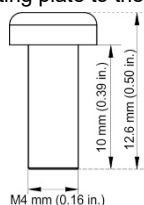
Drill template: 1 pcs

Used to cut the hole for the flush mount.



Screw A: 4 pcs

Used to install the mounting plate to the flush mount.



## Supported cameras

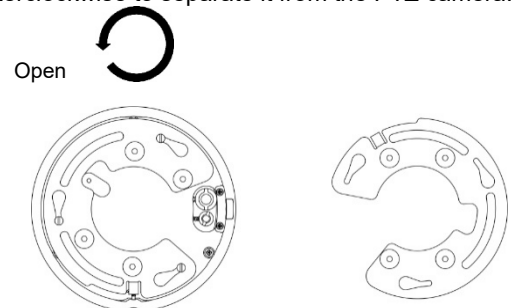
The compact PTZ flush mount can be used with following cameras:

IP Compact PTZ Camera:	TVP-5103
------------------------	----------

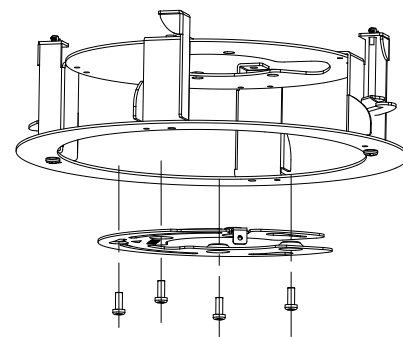
## Installation

To install the TVP-5103 PTZ camera recessed in a ceiling using the TVP-CFM:

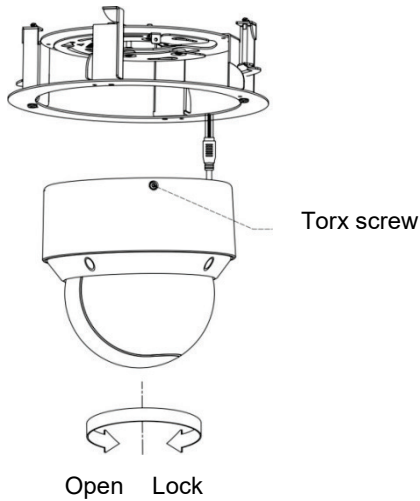
- Using the supplied Torx wrench, loosen the Torx screw at the base of the PTZ. Loosen slightly the three screws on the base of the PTZ and rotate the metal adapter plate counterclockwise to separate it from the PTZ camera.



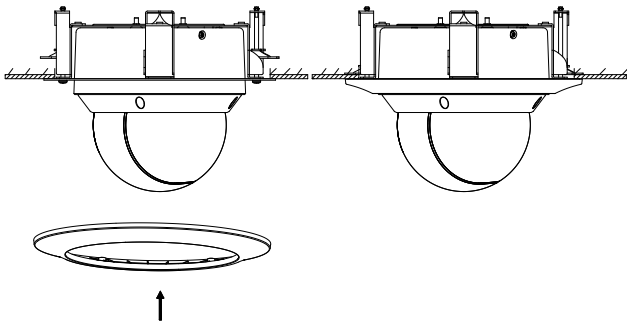
- Cut a hole in the mounting surface using the supplied template.
- Align the cable access hole in the mounting plate with the cable access in the flush mount. Install the mounting plate to the flush mount with the A screw. Tighten screw A fully. Otherwise, the dome will not slide properly into place over the three standoffs, and the screw head will block the rotation.






- Route the cables through the flush mount.
- Align the PTZ camera with the mounting plate. Rotate the PTZ camera clockwise into the mounting plate to lock the assembly in place. Making sure that the locking Torx screw is lined up with the metal tab on the metal adapter plate.
- Tighten the Torx screw with the Torx wrench that is provided with the PTZ.



7. Remove the plastic decorative trim ring from the flush mount. It is held into place with six small magnets. Insert the camera assembly and flush mount into the mounting surface. While holding the camera and mount in place, use a Philips screwdriver to lock the camera and mount in to place (two locations. See the image of the hooks in the *Dimensions* section).
8. Install the trim ring on to the flush mount. The trim ring will snap into position, locking it in place.



## Legal and regulatory information

Trademarks and patents	The trade names used in this document may be trademarks or registered trademarks of the manufacturers or vendors of the respective products.
Manufacturer	Interlogix. 2955 Red Hill Avenue, Costa Mesa, CA 92626 5923, USA Authorized EU manufacturing representative: UTC Fire & Security B.V. Kelvinstraat 7, 6003 DH Weert, The Netherlands
Certification	  
Product warnings and disclaimers	THESE PRODUCTS ARE INTENDED FOR SALE TO AND INSTALLATION BY QUALIFIED PROFESSIONALS. UTC FIRE & SECURITY CANNOT PROVIDE ANY ASSURANCE THAT ANY PERSON OR ENTITY BUYING ITS PRODUCTS, INCLUDING ANY "AUTHORIZED DEALER" OR "AUTHORIZED RESELLER", IS PROPERLY TRAINED OR EXPERIENCED TO CORRECTLY INSTALL FIRE AND SECURITY RELATED PRODUCTS.

For more information on warranty disclaimers and product safety information, please check [www.firesecurityproducts.com/policy/product-warning/](http://www.firesecurityproducts.com/policy/product-warning/) or scan the following code:



Contact information and manuals / tools / firmware

For contact information and to download the latest manuals, tools, and firmware, go to the web site of your region.

Americas: [www.interlogix.com](http://www.interlogix.com)

EMEA: [www.firesecurityproducts.com](http://www.firesecurityproducts.com)

Manuals are available in several languages

Australia/New Zealand: [www.utcfs.com.au](http://www.utcfs.com.au)