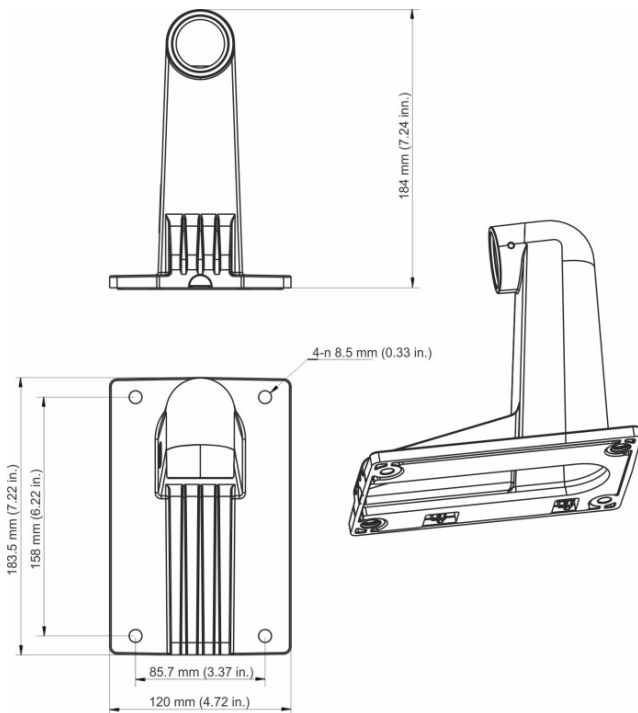


TVD-CBW Cup Base Wall Mount Installation Instructions

Specifications

Dimensions: 183.5 × 120 × 184 mm (7.22 × 4.72 × 7.24 in.)

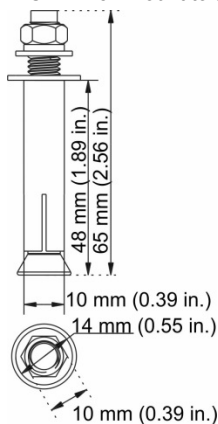


Weight: 689 g (1.52 lb.)

Accessories:

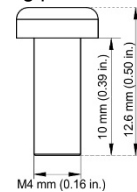
Expansion anchors: 4 pcs

Used to install the TVD-CBW wall mount to the mounting surface.



Screw A: 4 pcs

Used to install the mounting plate to the TVD-CBW wall mount.



Supported cup bases and back boxes

The cup base wall mount can be used with following TruVision accessories:

- TVW-AWB-1
- TVW-DVM
- TVD-CB2
- TVD-CB3
- TVD-CB5A
- TVD-CB6
- TVD-CB7
- TVF-CBM

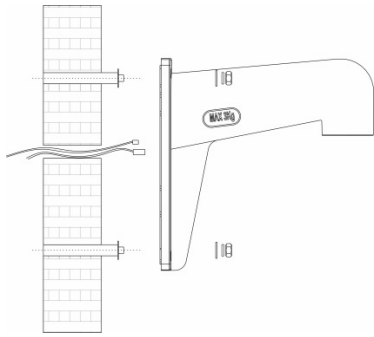
Installation

For detailed instructions, refer to the Installation Guide for the camera that you are installing. The following requirements are mandatory precautions.

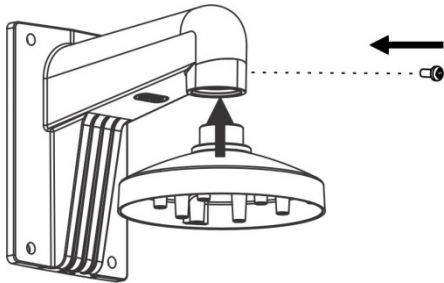
- The wall must be thick enough to install the expansion anchors.
- Ensure that the wall is strong enough to withstand more than eight times the weight of the camera and wall mount.

To attach a camera to the wall mount (TVD-CBW):

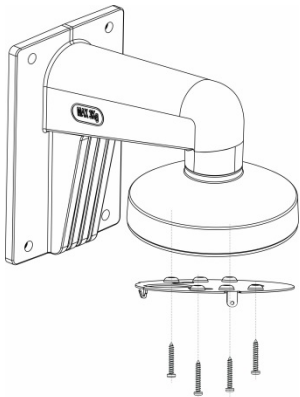
1. Choose the appropriate location on the mounting surface. Use the wall mount base to mark the holes for the expansion anchors and to also provide access for the cable harness prior to installing with the mount.
2. Drill holes in the mounting surface and install the four expansion anchors.
3. Route the cables through the wall mount.
4. Secure the wall mount to the mounting surface using the hardware provided with the expansion anchor.



5. Install the cup base on the wall mount. Secure the cup base with a locking screw.



6. Place the adapter plate on the cup base wall mount. Prior to installing the adapter plate, make sure that when the camera is mounted to the adapter plate, it will be in the correct orientation. Using screw A, secure the adapter plate to the wall mount.



7. Route the camera cables through the adapter plate. If you are not using all the features/cables, you may want to tuck them behind the adapter plate to keep them out of the way so they do not interfere when installing the camera on the wall mount.
8. To complete camera installation, refer to the Installation Instructions for the specific cup base and camera.

Legal and regulatory information

Copyright © 2018 United Technologies Corporation. All rights reserved.
Interlogix is part of UTC Climate, Controls & Security, a unit of United Technologies Corporation.

Trademarks and patents The trade names used in this document may be trademarks or registered trademarks of the manufacturers or vendors of the respective products.

Manufacturer Interlogix.
2955 Red Hill Avenue, Costa Mesa, CA 92626 5923, USA
Authorized EU manufacturing representative:
UTC Fire & Security B.V.
Kelvinstraat 7, 6003 DH Weert, The Netherlands

Certification



Product warnings and disclaimers

THESE PRODUCTS ARE INTENDED FOR SALE TO AND INSTALLATION BY QUALIFIED PROFESSIONALS. UTC FIRE & SECURITY CANNOT PROVIDE ANY ASSURANCE THAT ANY PERSON OR ENTITY BUYING ITS PRODUCTS, INCLUDING ANY "AUTHORIZED DEALER" OR "AUTHORIZED RESELLER", IS PROPERLY TRAINED OR EXPERIENCED TO CORRECTLY INSTALL FIRE AND SECURITY RELATED PRODUCTS.

For more information on warranty disclaimers and product safety information, please check www.firesecurityproducts.com/policy/product-warning/ or scan the following code:



Contact information and manuals / tools / firmware

For contact information and to download the latest manuals, tools, and firmware, go to the web site of your region.

Americas: www.interlogix.com

EMEA: www.firesecurityproducts.com

Manuals are available in several languages

Australia/New Zealand: www.utcfs.com.au