

# TVP-SAM TruVision PTZ Swing Arm Mount Installation Instructions

## Introduction

These instructions help you to install the mounting accessory that you are using with your Interlogix PTZ. Complete these instructions first, then return to the PTZ installation manual to finish installing the PTZ.

The swing arm mount is used to mount a PTZ to a roof parapet. It swings the PTZ out from a building and in above a roof for a broader range of surveillance coverage and safer, easier servicing.

Figure 1: Mount positions out from a building and in above a roof

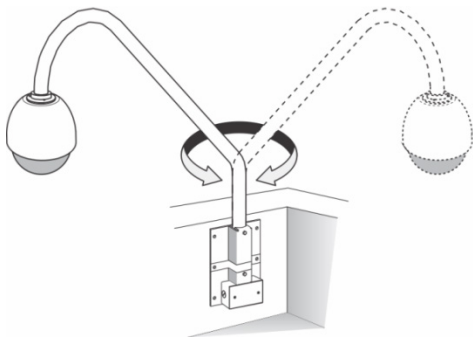
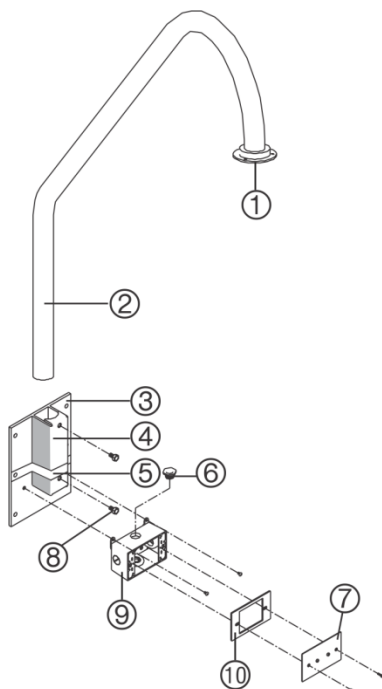


Figure 2: Package contents



- |  |  |
|--|--|
| 1. Collar                                  | 7. Junction box cover (fasteners provided) |
| 2. Swing arm                               | 8. Pivot locking screws                    |
| 3. Mounting plate (fasteners not provided) | 9. Junction box (fasteners provided)       |
| 4. Mounting socket                         | 10. Gasket                                 |
| 5. Safety U bracket                        |  |
| 6. Chase nipple (0.75 in. conduit)         |  |

## Product contents

- The swing arm
- Mounting plate (fasteners not provided)
- Safety U bracket
- Junction box (fasteners provided)
- Chase nipple (3/4 in. conduit)
- Gasket
- Junction box cover (fasteners provided)

## Installation

Installation involves installing the mounting plate, installing the swing arm, feeding the interconnect cables through the mount, and installing the junction box.

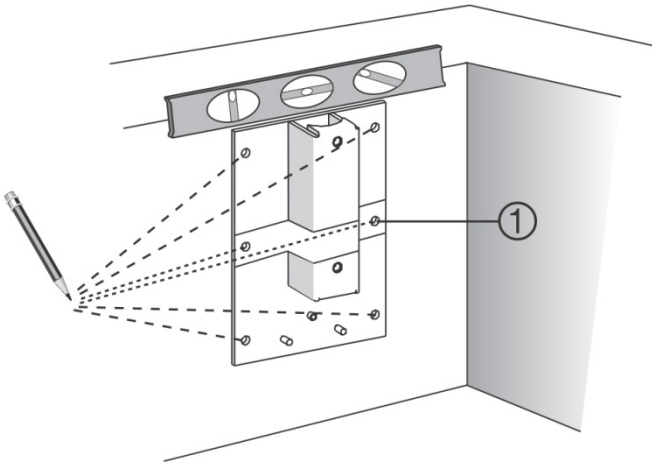
**Caution:** For all installations, heed these cautions:

- Complete all installation steps before supplying power to the PTZ.
- To ensure proper operation of a PTZ, install the mount level.
- For safety, the mounting surface, hardware, and procedure used for securing the PTZ must support the weight of the PTZ, mount, cables, and any structural or environmental vibration according to local codes.

## Installing the mounting plate

1. Remove the junction box from the mounting plate (Figure 2 above).
2. Using the mounting plate as a template, place it level against the mounting surface and mark the position of the mounting holes (Figure 3 on page 2). Use all six mounting holes, if extra support is needed for your installation.

Figure 3: Marking the mounting holes



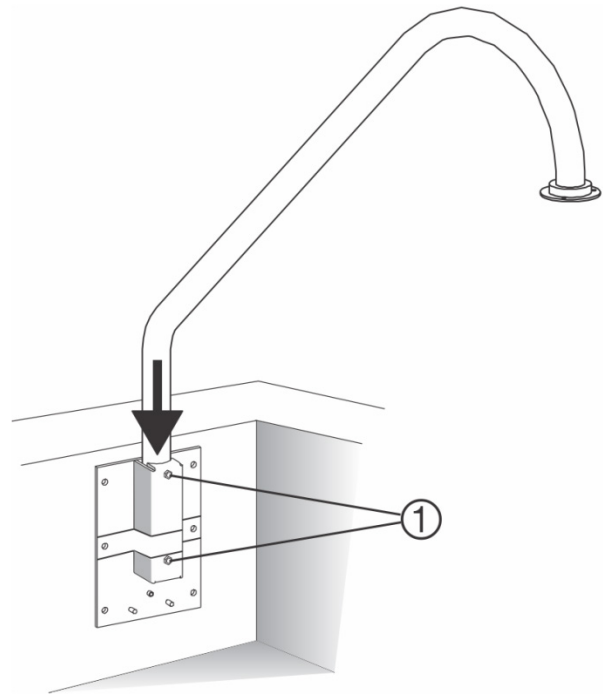
1. Middle holes are for extra support.
2. Following all local codes, drill and prepare the mounting holes.
3. Orient the mounting plate such that the socket is up and the junction box is down (Figure 1 on page 1).
4. Securely fasten the mounting plate to the mounting surface with the appropriate fasteners. Before installing anchors into the middle holes, place the safety U bracket on top of the mounting socket, aligning the holes in the safety U bracket with the middle holes on the mounting plate.
5. If needed, seal all mounting holes so that no moisture can leak into the mounting surface.

## Installing the swing arm

See Figure 4 below and do the following:

1. Slide the swing arm down into the mounting socket of the mounting plate.
2. Position the arm such that the collar is accessible from the rooftop for mounting the housing.
3. Temporarily tighten the pivot locking screws on the arm, while you continue installing the mount.

Figure 4: Installing the swing arm

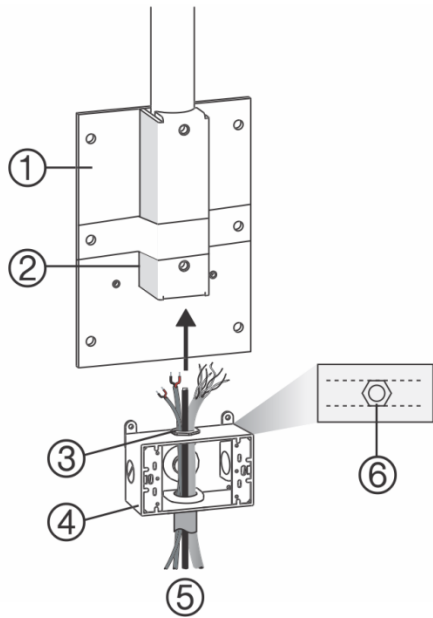


1. Pivot locking screws

## Installing the interconnect cables and junction box

1. Feed the interconnect cables through the junction box, the chase nipple of the junction box, and up through the swing arm (Figure 5 on page 3).
  - Pull enough extra cable to make connections. You can always cut off unneeded length later.
  - Do not terminate the cables yet. Otherwise, they will not fit through the dust seal of the housing.
2. Ensure that the parallel sides of the chase nipple are aligned with the front and back of the top of the junction box (Figure 5 on page 3). Otherwise, the chase nipple may catch on the lower lip of the mounting socket.

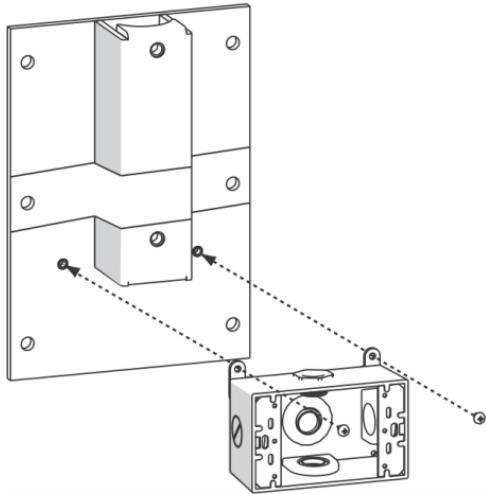
**Figure 5: Feeding the interconnect cables through the mount**



- |                    |                        |
|--------------------|------------------------|
| 1. Mounting plate  | 4. Junction box        |
| 2. Mounting socket | 5. Interconnect cables |
| 3. Chase nipple    | 6. Chase nipple        |

7. Attach the junction box to the mounting plate using the fasteners provided (Figure 6 below).

**Figure 6: Attaching the junction box to the mounting plate**



8. Fit the gasket into the junction box cover and attach them both to the junction box using the fasteners provided (Figure 2 on page 1). Ensure that the gasket is properly positioned. Otherwise, it will not seal the junction box.
9. Return to the PTZ installation manual, complete the installation of the PTZ, and when done, loosen the pivot locking screws, swing the arm to the desired position, and securely tighten the pivot screws.

## Legal and regulatory information

Trademarks and patents	The trade names used in this document may be trademarks or registered trademarks of the manufacturers or vendors of the respective products.
------------------------	--

Manufacturer	Interlogix. 2955 Red Hill Avenue, Costa Mesa, CA 92626 5923, USA Authorized EU manufacturing representative: UTC Fire & Security B.V. Kelvinstraat 7, 6003 DH Weert, The Netherlands
--------------	---

Certification	  
---------------	---

Product warnings and disclaimers	<p>THESE PRODUCTS ARE INTENDED FOR SALE TO AND INSTALLATION BY QUALIFIED PROFESSIONALS. UTC FIRE &amp; SECURITY CANNOT PROVIDE ANY ASSURANCE THAT ANY PERSON OR ENTITY BUYING ITS PRODUCTS, INCLUDING ANY "AUTHORIZED DEALER" OR "AUTHORIZED RESELLER", IS PROPERLY TRAINED OR EXPERIENCED TO CORRECTLY INSTALL FIRE AND SECURITY RELATED PRODUCTS.</p>
----------------------------------	---

For more information on warranty disclaimers and product safety information, please check [www.firesecurityproducts.com/policy/product-warning/](http://www.firesecurityproducts.com/policy/product-warning/) or scan the following code:



Contact information and manuals / tools / firmware	<p>For contact information and to download the latest manuals, tools, and firmware, go to the web site of your region.</p> <p><b>Americas:</b> <a href="http://www.interlogix.com">www.interlogix.com</a></p> <p><b>EMEA:</b> <a href="http://www.firesecurityproducts.com">www.firesecurityproducts.com</a> Manuals are available in several languages.</p> <p><b>Australia/New Zealand:</b> <a href="http://www.utcfs.com.au">www.utcfs.com.au</a></p>
--	--