

Wall-mount DR-RWM Installation Instructions

Introduction

This is the **Wall-Mount Installation Instructions** for model DR-RWM.

You can install the wall-mount with or without the optional cable junction box.

To install the Dome Camera, follow the surface or junction box installation steps, then install the dome.

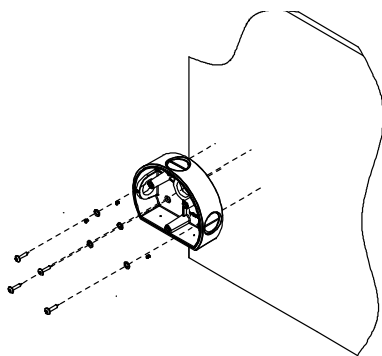
Junction box installation

To install the wall-mount, do the following:

Use the following instructions if you will be using the optional cable junction box.

1. Position the cable junction box on the mounting surface at the installation location.
2. Remove the appropriate cable entry cover and trace the position of the cable entry hole and mounting holes.
3. Drill or cut the cable entry hole and mounting holes.
4. Install the provided mounting anchors in the mounting holes (Figure 1).

Figure 1: Cable junction box installation



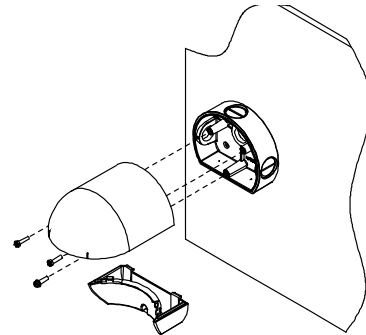
5. Mount the cable junction box to the anchors in the mounting surface using the screws provided.

Note: Feed the cables through the mounting surface, plates, and housing at the appropriate time depending on whether you are using the flying lead and whether the cable is external or internal to the mounting surface.

Housing installation on junction box

To install the main housing onto the cable junction box, see Figure 2 and do the following:

Figure 2: Housing installation on cable junction box

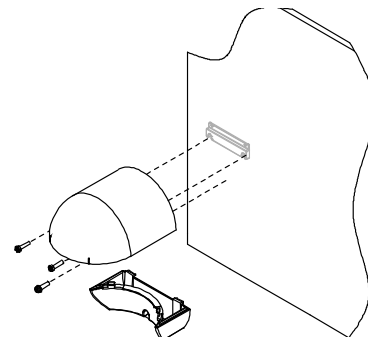


1. Screw in the two large screws provided into the top two mounting holes on the cable junction box. They will not screw all the way in.
2. Snap the lower portion of the main housing onto the top portion.
3. Place the top portion of the main housing over the two mounting screws and slide the housing down until it rests on the two mounting screws.
4. Using the screw provided, secure the lower portion of the main housing to the cable junction box.

Housing installation on surface

To install the main housing onto a mounting surface, see Figure 3 and do the following:

Figure 3: Housing installation on wall



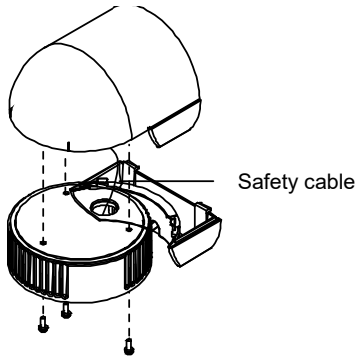
1. Using the black plastic pattern, mark the two holes you will need to mount the main housing. Ensure the marks are level.
2. Drill the two holes and install anchors.
3. Screw in the two large screws provided, but leave space equivalent to the thickness of the black plastic piece.
4. Snap the lower portion of the main housing onto the top portion.

5. Place the top portion of the main housing over the two mounting screws and slide the housing down until it is resting on the two mounting screws.
6. Mark the hole for the screw through the lower portion of the housing.
7. Remove the main housing and drill the mounting hole.
8. Install an anchor for the lower mounting hole.
9. Reinstall the main housing.
10. Using the screw provided, secure the lower portion of the main housing to the mounting surface.

Dome installation

To install the dome housing, see Figure 4 and do the following:

Figure 4: Dome installation to housing



1. Unscrew the dome cover from the camera housing and swing it to one side on its hinge.
2. If the dome doesn't already have a safety cable clip installed, screw the bracket to the housing and connect the safety clip. Run the safety cable through the same opening as the flying lead.
3. Attach the other end of the safety cable to the safety clip bracket in the top portion of the housing.
4. Align the three mounting holes in the camera housing with the three mounting holes in the top portion of the main housing. Use the screws provided to secure the camera housing to the main housing.
5. Position your camera and secure the dome cover.

Regulatory information

Copyright	© 2019 United Technologies Corporation. Interlogix is part of UTC Climate, Controls & Security, a unit of United Technologies Corporation. All rights reserved.
Trademarks and patents	The trade names used in this document may be trademarks or registered trademarks of the manufacturers or vendors of the respective products.
Disclaimer	Information in this document is subject to change without notice. No part of this document may be reproduced or transmitted in any form or by any means, electronic or mechanical, for any purpose, without the express written permission of UTC Fire & Security Americas Corporation, Inc.

Manufacturer

Interlogix.

2955 Red Hill Avenue, Costa Mesa, CA 92626
5923, USA

Authorized EU manufacturing representative:
UTC Fire & Security B.V.
Kelvinstraat 7, 6003 DH Weert, The Netherlands

Certification



European Union directives

This product and - if applicable - the supplied accessories too are marked with "CE" and comply therefore with the applicable harmonized European standards listed under the EMC Directive 2014/30/EU, the RoHS Directive 2011/65/EU.



2012/19/EU (WEEE directive): Products marked with this symbol cannot be disposed of as unsorted municipal waste in the European Union. For proper recycling, return this product to your local supplier upon the purchase of equivalent new equipment, or dispose of it at designated collection points. For more information see: www.recyclethis.info.



2013/56/EU & 2006/66/EC (battery directive): This product contains a battery that cannot be disposed of as unsorted municipal waste in the European Union. See the product documentation for specific battery information. The battery is marked with this symbol, which may include lettering to indicate cadmium (Cd), lead (Pb), or mercury (Hg). For proper recycling, return the battery to your supplier or to a designated collection point. For more information see: www.recyclethis.info.

Product warnings and disclaimers

THESE PRODUCTS ARE INTENDED FOR SALE TO AND INSTALLATION BY QUALIFIED PROFESSIONALS. UTC FIRE & SECURITY CANNOT PROVIDE ANY ASSURANCE THAT ANY PERSON OR ENTITY BUYING ITS PRODUCTS, INCLUDING ANY "AUTHORIZED DEALER" OR "AUTHORIZED RESELLER", IS PROPERLY TRAINED OR EXPERIENCED TO CORRECTLY INSTALL FIRE AND SECURITY RELATED PRODUCTS.

For more information on warranty disclaimers and product safety information, please check www.firesecurityproducts.com/policy/product-warning/ or scan the following code:



Contact information and manuals/ tools/ firmware

For contact information and to download the latest manuals, tools, and firmware, go to the web site of your region.

Americas: www.interlogix.com

EMEA: www.firesecurityproducts.com

Manuals are available in several languages.

Australia/New Zealand: www.utcfs.com.au