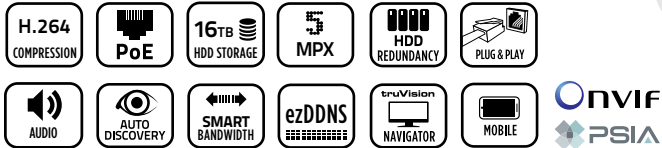


# NVR 21S

## 8/16 Channel PoE Network Video Recorder



### OVERVIEW

The TruVision® NVR 21S (TVN 21S) is a high-performance network video recorder with up to 16 built-in PoE ports designed to support video streams from IP video cameras. With a total of 40/80 Mbps of total bandwidth available, the NVR 21S can support up to 16 cameras at HD resolution in real-time (30fps) and many other configurations.\* Flexible bandwidth allocation per channel allows users to maximize recording performance. In addition to browser, software and mobile device management tools, the familiar front panel controls allow for easy operation. On-board PoE ports support up to 120/200 watts for ease of installation.

IP camera support includes resolutions ranging from standard VGA to 6.0 megapixel, including Interlogix and third-party IP camera manufacturers.\*\* The NVR 21S also supports TruVision encoders for integrating existing analog cameras. Up to four internal hard disk drives may be configured for a total internal hard drive capacity of 2TB-16TB, making the NVR 21S ideal for extended storage or megapixel camera applications.

Recording options include continuous, motion, and alarm or combined scheduled recording modes. Motion recording utilizes an IP camera's built-in motion detection events, and alarms can be triggered from any of the 16 on-board alarm inputs or from alarm inputs that reside on the IP camera.

Software connectivity allows remote access to the recorder's full capabilities via Web browser or TruVision Navigator. TruVision TVRMobile also allows for remote device access via smartphone or tablet. Configuration is quick and easy through startup wizards, IP device auto-discovery tools and ezDDNS service.

\*Reference table on page 2.

\*\*Support from third-party IP cameras may vary.

### STANDARD FEATURES

#### Camera Support

- Up to 8/16 HD cameras (ONVIF/PSIA) in real time (30fps)
- TruVision and UltraView IP cameras from VGA through 5.0 megapixel (indoor and outdoor)
- TruVision 4, 8 and 16-channel encoders
- PTZ and dome camera control via mouse, front panel, IR remote control or optional keypad

#### Recording Capabilities

- Continuous, motion or scheduled recording modes
- Event recording based upon native IP camera activity detection or via unit alarm input
- Audio recording with capable IP cameras
- Redundant camera recording or independent storage groups for different durations
- Reverse playback
- Digital zoom on live and recorded video
- Text insertion via ProBridge for ATM/POS
- Watermarking for legal video authentication
- ezDDNS
- Mobile apps
- Start up Wizards for quick and easy installation
- 40/80 Mbps for incoming streams
- Up to 16TB of storage

#### Hardware

- Up to 16-ports embedded PoE Switch
- Rack mountable – 1.5 RU
- Up to 16TB of plug-and-play internal, front accessible hard disk storage
- Support for external hard drive (eSATA)
- 16 on-board alarm inputs and 4 configurable alarm outputs
- Local USB archiving
- Composite, VGA and HDMI output for high-quality local viewing

## Specifications

Model	TVN-2108S		TVN-2116S
<b>Video/ Audio Input</b>	IP Video Input	8-channel	16-channel
	Bi-directional Audio	1-channel, RCA (2.0 Vp-p, 1kΩ)	
	Total Bandwidth	40Mbps	80Mbps
<b>Video/ Audio Output</b>	Recording Resolution	6MP /5MP /3MP /1080P /UXGA /720P /VGA /4CIF /DCIF /2CIF /CIF /QCIF	
	Analog Output	1-channel, BNC (1.0 Vp-p, 75 Ω) resolution: 704 × 576 (PAL); 704 × 480 (NTSC)	
	HDMI Output	1-channel, resolution: 1920 × 1080P /60Hz, 1920×1080P /50Hz, 1600 × 1200/60Hz, 1280 × 1024 /60Hz, 1280 × 720 /60Hz, 1024 × 768 /60Hz	
	VGA Output	1-channel, resolution: 1920 × 1080P /60Hz, 1600 × 1200 /60Hz, 1280 × 1024 /60Hz, 1280 × 720 /60Hz, 1024 × 768 /60Hz	
	Audio Output	2-channel, RCA (Linear, 600Ω)	
	Playback Resolution	6MP /5MP /3MP /1080P /UXGA /720P /VGA /4CIF /DCIF /2CIF /CIF /QCIF	
	Synchronous Playback	8-channel	16-channel
<b>Hard Disk</b>	SATA	(4) SATA interfaces	
	eSATA	(1) eSATA interface	
	Capacity	4TB capacity for each HDD	
<b>External Interface</b>	Network Interface	(1) RJ-45 10 /100 /1000 Mbps self-adaptive Ethernet interfaces	
	Serial Interface	(1) RS-232 interface (for parameters configuration, maintenance, transparent channel); (1) RS-485 interface (reserved)	
	USB Interface	(3) USB 2.0	
	Alarm In	16	
	Alarm Out	4	
<b>Power over Ethernet</b>	PoE ports	8	16
	PoE Standard	802.3-af/at	
	Total PoE budget	120 watts	200 watts
	Maximum budget per port	30W	
<b>General</b>	Power Supply	100~240VAC, 6.3A, 50~60Hz	
	Consumption (without hard disk)	≤ 45 W	
	Working Temperature	-10°C ~+55°C (14°F~131°F)	
	Working Humidity	10%~90%	
	Chassis	1.5U	
	Dimensions (W x D x H)	17.40 × 14.61 × 2.91 in. (442 × 371 × 74mm)	
	Weight (without hard disk)	≤ 8 Kg (17.64 lb)	
Rack Mount	Included		

## Typical Camera Capacity Configurations TVN-2108S

Resolution	Frame Rate	Cameras	Recommended Days of Storage		
			4TB	8TB	16TB
4CIF (704 x 576)	12/15	8	48	96	192
4CIF (704 x 576)	25/30	8	24	48	96
HD (1280 x 720)	12/15	8	16	32	64
HD (1280 x 720)	25/30	8	12	24	48
UXGA (1600 x 1200)	12/15	8	12	24	48
UXGA (1600 x 1200)	25/30	5	10	20	40
Full HD (1920 x 1080)	12/15	8	12	24	48
Full HD (1920 x 1080)	25/30	4	10	20	30
QXGA (2048 x 1536)	12/15	5	10	20	30
QXGA (2048 x 1536)	25/30	3	10	20	30
5 Mpx (2560 x 1920)	8	5	9	18	36
5 Mpx (2560 x 1920)	20	2	12	24	48

Note: This is an indication only; results depend on cameras used and environment.

## Typical Camera Capacity Configurations TVN-2116S

Resolution	Frame Rate	Cameras	Recommended Days of Storage		
			4TB	8TB	16TB
4CIF (704 x 576)	12/15	16	24	48	96
4CIF (704 x 576)	25/30	16	12	24	48
HD (1280 x 720)	12/15	16	8	16	32
HD (1280 x 720)	25/30	16	6	12	24
UXGA (1600 x 1200)	12/15	16	6	12	24
UXGA (1600 x 1200)	25/30	10	5	10	20
Full HD (1920 x 1080)	12/15	16	6	12	24
Full HD (1920 x 1080)	25/30	8	5	10	15
QXGA (2048 x 1536)	12/15	10	5	10	15
QXGA (2048 x 1536)	25/30	6	5	10	15
5 Mpx (2560 x 1920)	8	10	5	9	18
5 Mpx (2560 x 1920)	20	4	6	12	24

Note: This is an indication only; results depend on cameras used and environment.

# NVR 21S

North America  
T 855-286-8889

Latin America  
T 561-998-6114

8/16 Channel PoE Network Video Recorder

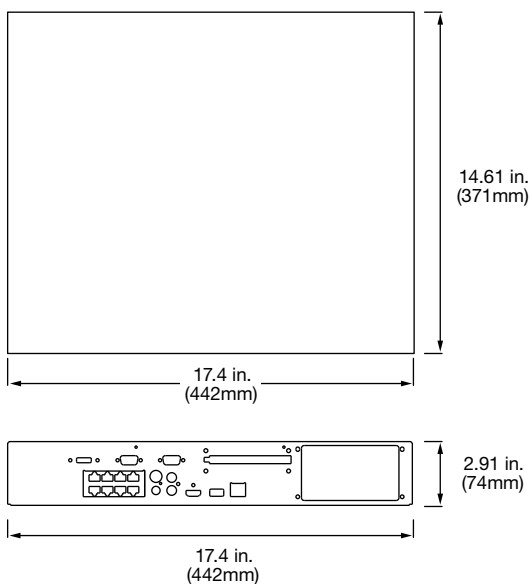
## Ordering Information

<b>TVN-2108S-2T</b>	TruVision® NVR 21S, 8-Channel, IP H.264 ONVIF/PSIA, 8-Port PoE Switch, 40Mbps Bandwidth, eSATA, 2TB Storage
<b>TVN-2108S-4T</b>	TruVision NVR 21S, 8-Channel, IP H.264 ONVIF/PSIA, 8-Port PoE Switch, 40Mbps Bandwidth, eSATA, 4TB Storage
<b>TVN-2108S-8T</b>	TruVision NVR 21S, 8-Channel, IP H.264 ONVIF/PSIA, 8-Port PoE Switch, 40Mbps Bandwidth, eSATA, 8TB Storage
<b>TVN-2116S-2T</b>	TruVision NVR 21S, 16-Channel, IP H.264 ONVIF/PSIA, 16-Port PoE Switch, 80Mbps Bandwidth, eSATA, 2TB Storage
<b>TVN-2116S-4T</b>	TruVision NVR 21S, 16-Channel, IP H.264 ONVIF/PSIA, 16-Port PoE Switch, 80Mbps Bandwidth, eSATA, 4TB Storage
<b>TVN-2116S-8T</b>	TruVision NVR 21S, 16-Channel, IP H.264 ONVIF/PSIA, 16-Port PoE Switch, 80Mbps Bandwidth, eSATA, 8TB Storage
<b>TVN-2116S-16T</b>	TruVision NVR 21S, 16-Channel, IP H.264 ONVIF/PSIA, 16-Port PoE Switch, 80Mbps Bandwidth, eSATA, 16TB Storage

## Accessories

<b>TVN-20XX-HDD-2T</b>	TruVision NVR HDD Expansion Kit, 2TB Storage
<b>TVN-HDD-4T</b>	TruVision NVR HDD Expansion Kit, 4TB Storage

## Dimensional Diagram



[interlogix.com](http://interlogix.com)

Specifications subject to change without notice.

© 2015 United Technologies Corporation.

All rights reserved.

Interlogix is part of UTC Building & Industrial Systems,  
a unit of United Technologies Corporation.

501-3903 2015/02 (80634)