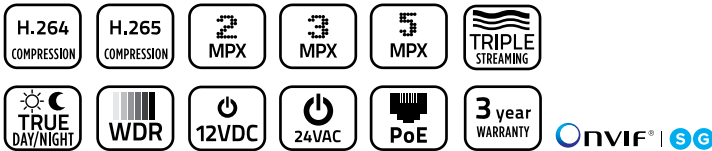


H.265 IP Box Cameras

Series 4 IP Open Standards Cameras



OVERVIEW

The TruVision H.265 IP Megapixel Box cameras by Interlogix bring state-of-the-art, high-definition pictures to the mass video surveillance market and leverages the latest H.265 video compression technology. With camera resolutions of 2, 3 or 5 megapixel, these cameras provide the flexibility for a wide variety of applications. Equipped with advanced technology and signal processing capability, these cameras also effectively capture video under challenging conditions.

The H.265 IP Megapixel Box cameras can utilize H.265 or H.264 compression with triple-streaming capability to provide even greater flexibility for managing bandwidth and storage usage. Memory card recording also protects data in the event of network disruptions.

These cameras go above and beyond standard motion detection with enhanced alarm capabilities, including cross line, intrusion, defocus and face detection features. A Region of Interest function ensures specific portions of an image are given priority during instances of high network traffic or network degradation. Select models also feature Super Low Light technology, which provides a clear image in low lighting conditions. The H.265 IP Megapixel Box cameras are also user-configurable to best suit the installation environment.

STANDARD FEATURES

Video

- 2MPx, 3MPx or 5MPx resolution options
- H.265 and/or H.264 compression with triple-streaming functionality
- Real-time video streaming up to 1080p resolution (select models)
- PSIA and ONVIF Profile G and S open communications standards compatibility

Video Enhancement

- True Day/Night functionality
- ROI (Region of Interest), Hallway View, Mirror, De-Fog and Electronic Image Stabilization

Advanced Alarm Intelligence

- Integrated Motion Detection and Privacy Masking
- Face detection, audio exception detection, intrusion detection, defocus detection, scene change detection, cross line detection, advanced motion detection, region entrance detection, region exit detection, object removal, object left behind, object counting
- Easily controlled alarm input and output notifications

Edge Recording

- Edge recording on up to 128GB micro SD/SDXC card for video playback (Card not included)

Installation and Environment

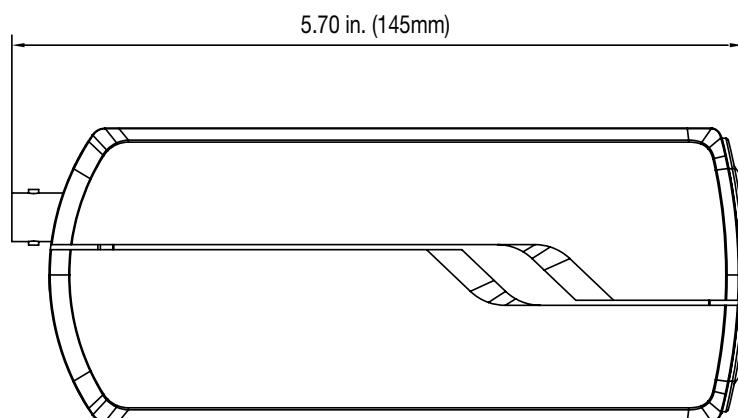
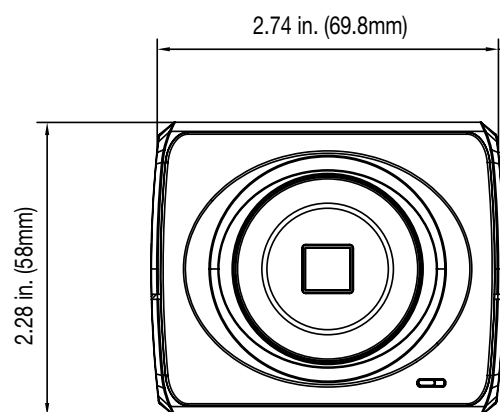
- External analog BNC video out connection
- TruVision Device Manager software to access newly added system devices
- Base camera, lens must be ordered separately

Warranty

- 3-year warranty

Dimensional Diagrams

TVC-5401, TVD-5402, TVD-5403 Box Camera



Specifications

PART NO.		TVC-5401	TVC-5402	TVC-5403
				
Camera	Sensor	1/1.8 Progressive Scan CMOS	1/2.8 Progressive Scan CMOS	1/1.8 Progressive Scan CMOS
	Resolution	2MPx	3MPx	5MPx
	Day/Night	IR cut filter		
	IP Compression	H.265 / H.264 / MJPEG		
	Multiple Streaming	Triple Stream		
	Maximum Resolution	1920 x 1080	2048 x 1536	2592 x 1944
	Maximum Real-Time Resolution (@fps)	50Hz: 50 fps (1920 x 1080, 1280 x 960, 1280 x 720) 60Hz: 60 fps (1920 x 1080, 1280 x 960, 1280 x 720)	50Hz: 25 fps (2048 x 1536, 1920 x 1080, 1280 x 720) 60Hz: 48 fps @ 2048 x 1536, 30 fps (1920 x 1080, 1280 x 720) 1280 x 960 @ 50 fps/60 fps	50Hz: 25 fps (2592 x 1944, 2560 x 1920, 2048 x 1536, 1920 x 1080, 1280 x 960, 1280 x 720) 60 Hz: 30 fps (2592 x 1944, 2048 x 1536, 1920 x 1080, 1280 x 960, 1280 x 720)
	Video Bit Rate	128 Kbps - 16 Mbps		
	Wide Dynamic Range	WDR (120 dB)		DWDR
	Digital Noise Reduction	3DNR		
	Minimum Illumination	Color: 0.002 lux @ f1.2 (AGC On), B/W: 0.0002 lux @ f1.2 (AGC On)	Color: 0.008 lux @ f1.2 (AGC On), B/W: 0.0005 lux @ f1.2 (AGC On)	Color: 0.01 lux @ f1.2 (AGC On), B/W: 0.001 lux @ f1.2 (AGC On)
	Digital S/N Ratio	52 dB (AGC Off)		
	Auto Exposure (shutter)	50Hz: 1/3s~1/100,000s; 60Hz: 1/3s~1/100,000s		
	Lens Type	C/CS (w/auto iris)		
Video Output	Composite (NTSC/PAL)			
Video Connector	1 - 75 Ω / BNC			
Network	Ethernet Port	1 RJ45 10/100/1000Mbps Auto-negotiable		
	Network Protocols	TCP/IP, HTTP, DHCP, DNS, DDNS, ezDDNS, RTP, RTSP, PPPoE, SMTP, NTP, SNMP, HTTPS, FTP, 802.1x, Qos, IPv6, ONVIF, PSIA, CGI		
Local Storage	Media	Micro SD/SDHC/SDXC slot		
	Capacity	Up to 128GB (card not included)		
Audio	Input	Audio in / Mic in (line level)		
	Output	Audio out (line level)		
	Audio bit rate (protocol)	G.711ulaw, G.711alaw, MP2L2, G.726, PCM		
Camera Alarms	Intelligence	Face Detection, Audio Exception Detection, Intrusion Detection, De-focus Detection, Region of Interest (ROI), Electronic Image Stabilization (EIS), Defog, Scene Change Detection, Cross Line Detection, Advanced Motion Detection, Region Entrance Detection, Region Exit Detection, Object Removal, Object Left Behind, Object Counting		
	Input/Output	1 input / 1 output		
Interoperability	Standard	ONVIF Profile (G,S), PSIA, CGI		
Electrical/Mechanical	Voltage Input	12VDC / 24 VAC, PoE (802.3af)		
	Power Consumption	10W		
	Current	850 mA		
	Auxiliary Power	N/A		
	Dimensions	2.74 x 2.28 x 5.70 in. (69.8 x 58 x 145mm)		
	Weight	1.83 lbs. (830g)		
Environmental	Storage Temperature	-22°F~-140°F (-30°C~60°C)		
	Operating Temperature	-22°F~-140°F (-30°C~60°C)		
Regulation	Compliance	FCC, CE, UL, WEEE, RoHS, REACH		

H.265 IP Box Cameras

Series 4 IP Open Standards Cameras



Ordering Information

TVC-5401	TruVision® 2MPx Low Light IP Box Camera, H.265/H.264, 2.0MPx, Super Low Light, WDR, True D/N, Auto Back Focus, Audio, Alarm, BNC, Micro SD/SHDC Slot, Intelligence, PoE (802.3-af)/12VDC/24VAC
TVC-5402	TruVision 3MPx IP Box Camera, H.265/H.264, 3.0MPx, WDR, True D/N, Auto Back Focus, Audio, Alarm, BNC, Micro SD/SHDC Slot, Intelligence, PoE (802.3-af)/12VDC/24VAC
TVC-5403	TruVision 5MPx IP Box Camera, H.265/H.264, 5.0MPx, DWDR, True D/N, Auto Back Focus, Audio, Alarm, BNC, Micro SD/SHDC Slot, Intelligence, PoE (802.3-af)/12VDC/24VAC

*Note: Lens must be ordered separately; see Accessories section below.

Accessories

TVL-001	TruVision 3MPx Lens, 2.7~12mm VF, f1.2, CS Mount, 1/2.7", CS, Auto-iris, IR Sensitive, for up to 3MPx box cameras (not with TruVision Super Low Light Box Cameras)
TVL-002	TruVision 3MPx Lens, 5~50mm VF, f1.7, CS Mount, 1/2.7", CS, Auto-iris, IR Sensitive, for up to 3MPx box cameras (not with TruVision Super Low Light Box Cameras)
TVL-003	TruVision 8MPx Lens, 3.8~16mm VF, f1.5, CS Mount, IR Sensitive, for up to 8MPx and Super Low Light Box Cameras
TVL-004	TruVision 8MPx Lens, 11~40mm VF, f1.5, CS Mount, IR Sensitive, for up to 8MPx and Super Low Light Box Cameras



interlogix.com

Specifications subject to change without notice.

© 2016 United Technologies Corporation.

All rights reserved.

Interlogix is part of UTC Climate, Controls & Security,
a unit of United Technologies Corporation.

2016/12 (GSP-2042)