

Surface Mount Magnetic Contacts with Screw Terminals

1285T Series



OVERVIEW

The 1285T Series surface mount magnetic contact is ideal for residential and commercial applications where terminal connects are preferred. The unit features Sems style terminals that have self-lifting washers and captured screws to prevent the screws from backing out. The screws have combination heads that accept either Phillips or flat blade drivers. The terminals are angled away from the mounting surface to allow for quick and easy installation. Snap-on covers conceal the terminals and mounting screws for a clean professional appearance. Wide gap model available.

STANDARD FEATURES

- Terminals feature self-listing washers
- Captured screws with combination heads
- Angled terminals for easy installation
- Wide gap models available
- Mounting hardware included
- UL/ULC Listed

Surface Mount Magnetic Contacts with Screw Terminals

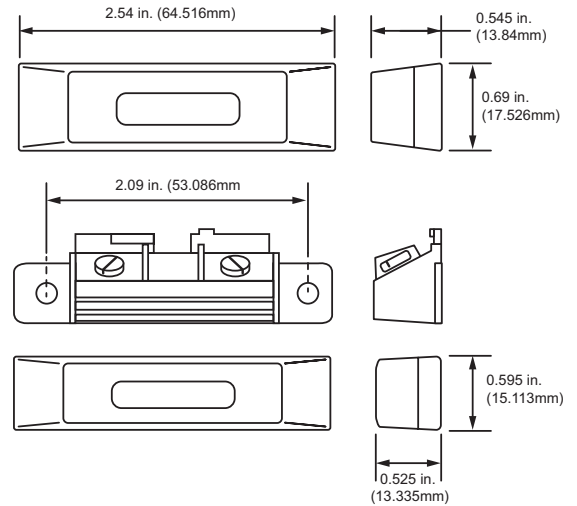
1285T Series

Specifications

Voltage	100 VAC/VDC max.
Current	0.5 A max.
Power	7.5 W max.
Loop type	Closed
Electrical Configuration	Normally open
Gap Distance*	
1285T	Up to 3/4 in. (19mm)
1285TW	Up to 1-1/2 in. (38mm)
Lead Type	#6 screw terminal
Housing	Flame retardant ABS plastic
Regulatory	UL634, ULC/ORD-C634

*Note: Gap distances are nominal make distance $\pm 20\%$. Gap specifications are for switch to make. Break distance is approximately 1.1 to 1.5 times make.

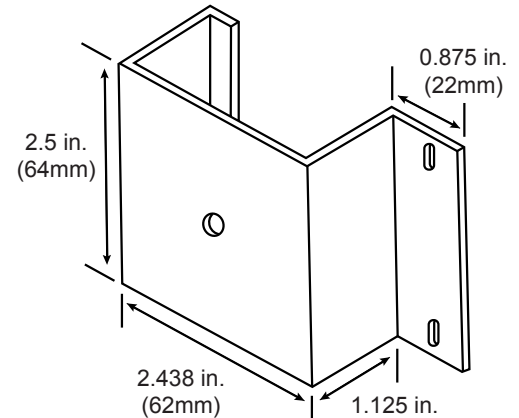
Dimensional Diagram



Ordering Information

1285T-N	Designer-styled Terminal Contact, 3/4" Gap Size, White
1285T-M	Designer-styled Terminal Contact, 3/4" Gap Size, Brown
1285TW-N	Designer-styled Terminal Contact, Wide Gap, 1-1/2" Gap Size, White
Accessories	
1910-L	Z-Bracket for 1082/1085T/1285T Series, Aluminum
1940-L	Garage Door Bracket for 1082TW/128T-W/2505 Series, Aluminum, Mounts on Wheel Tracks
19401-L	Garage Door Bracket for 1082T-W/1285T-W/2215 Series, Aluminum

1940-L Garage Door Bracket



interlogix.com

Specifications subject to change without notice.

© 2017 United Technologies Corporation.

All rights reserved.

All trademarks are the property of their respective owners.

Interlogix is part of UTC Climate, Controls & Security, a unit of United Technologies Corporation.

2017/12 (GSP-2452)